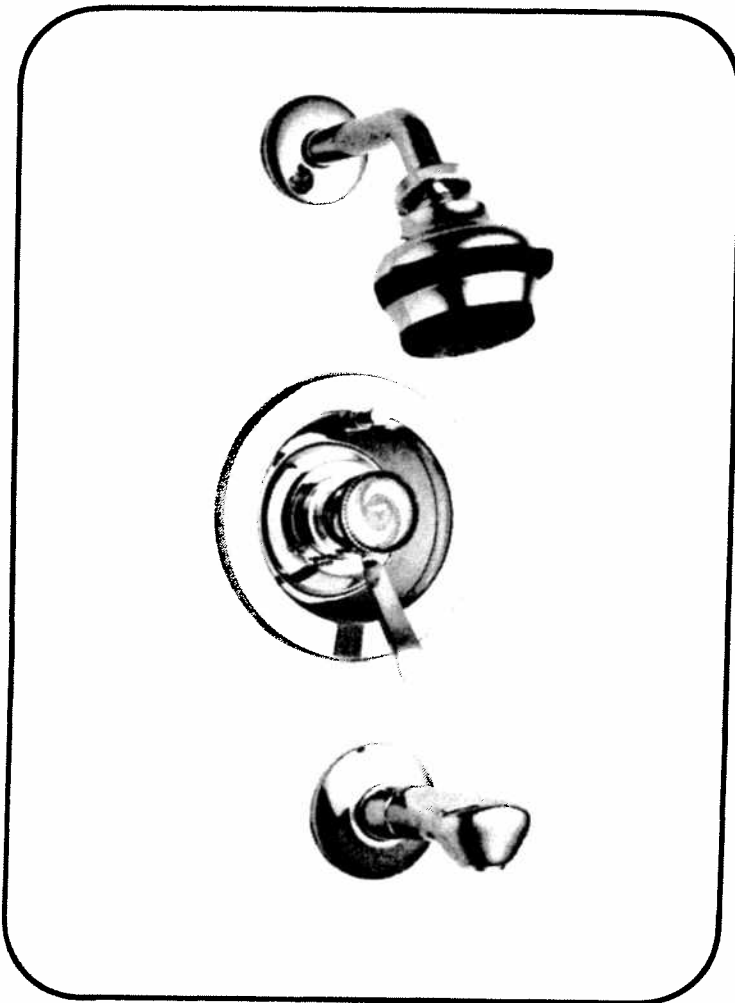


GROHE AMERICA



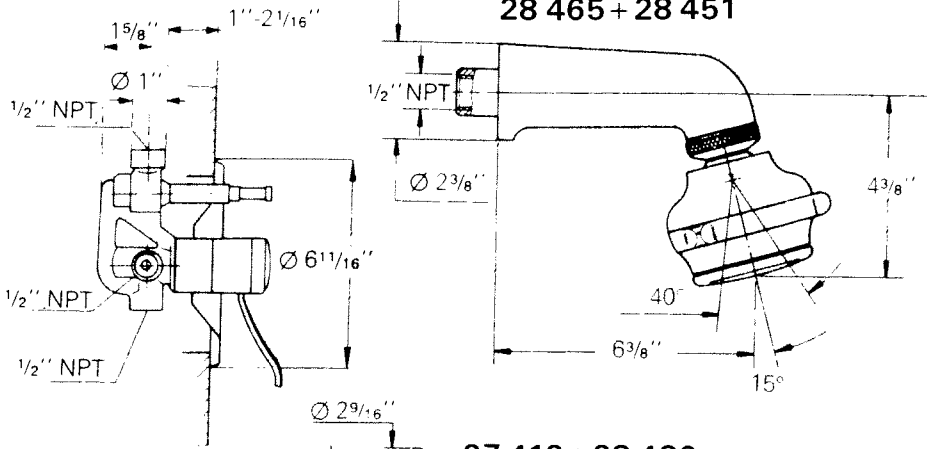
Tub and Shower
33 619 and variants
33 451 and variants

Technical Product Information

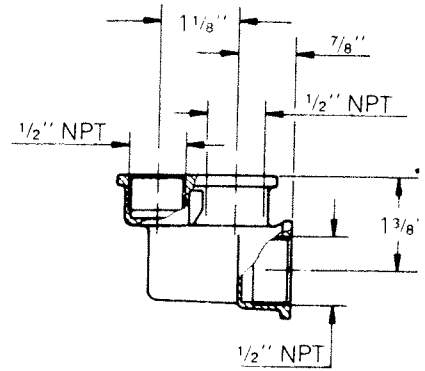


Installation dimensions

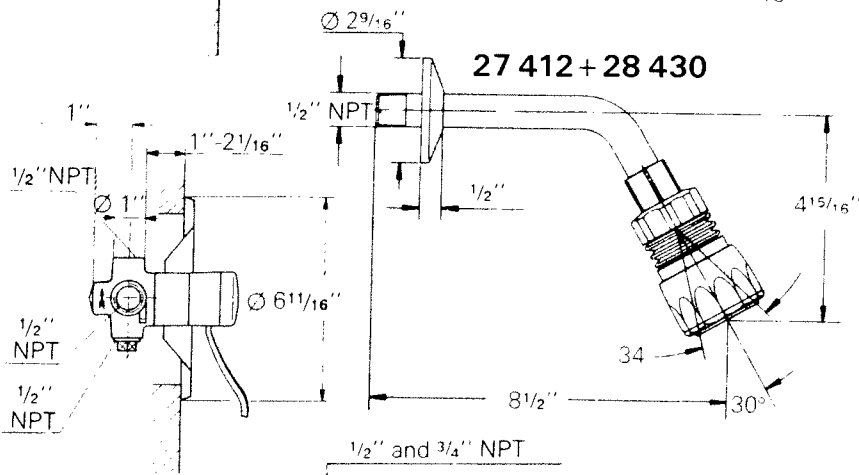
28 465 + 28 451



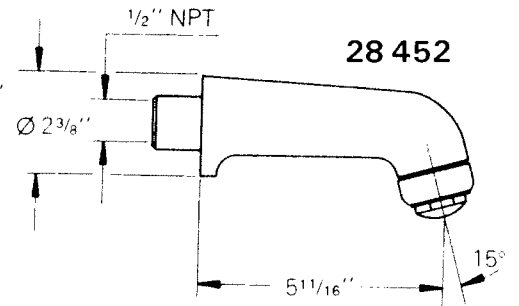
03 671



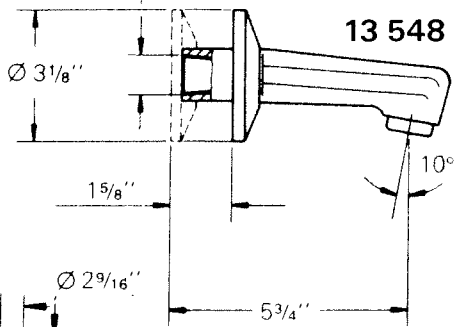
27 412 + 28 430



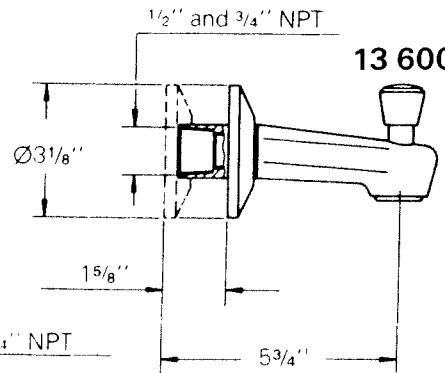
28 452



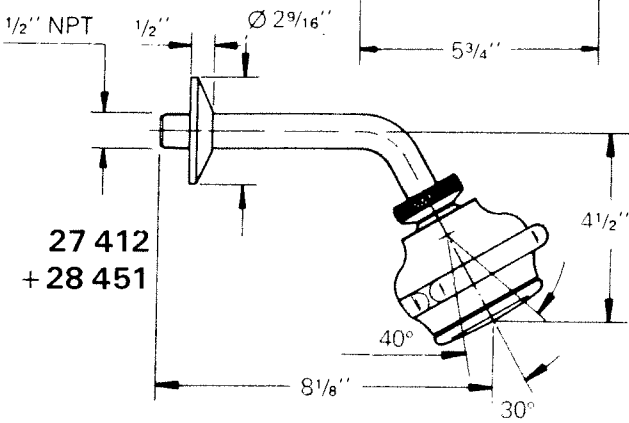
13 548



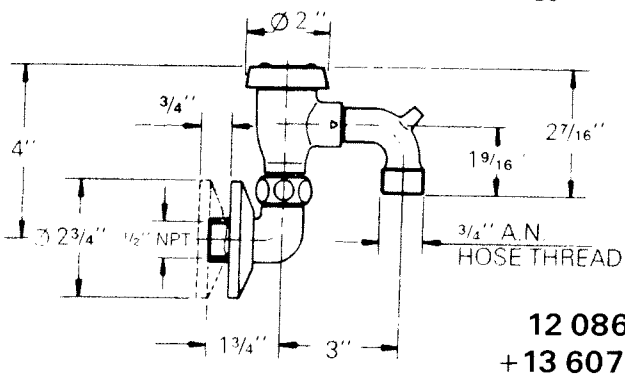
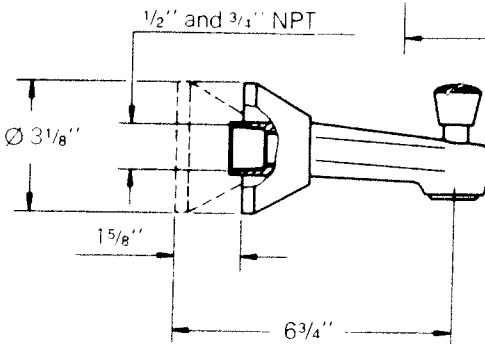
13 600



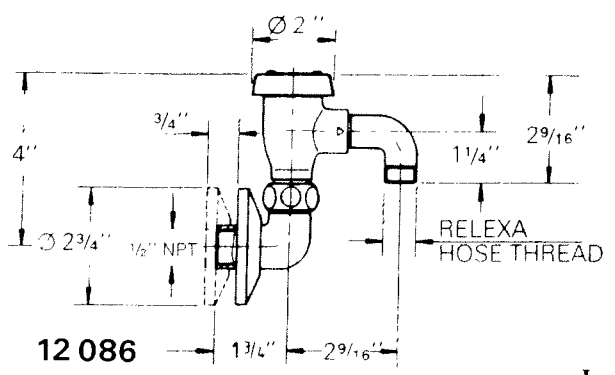
27 412 + 28 451



13 601

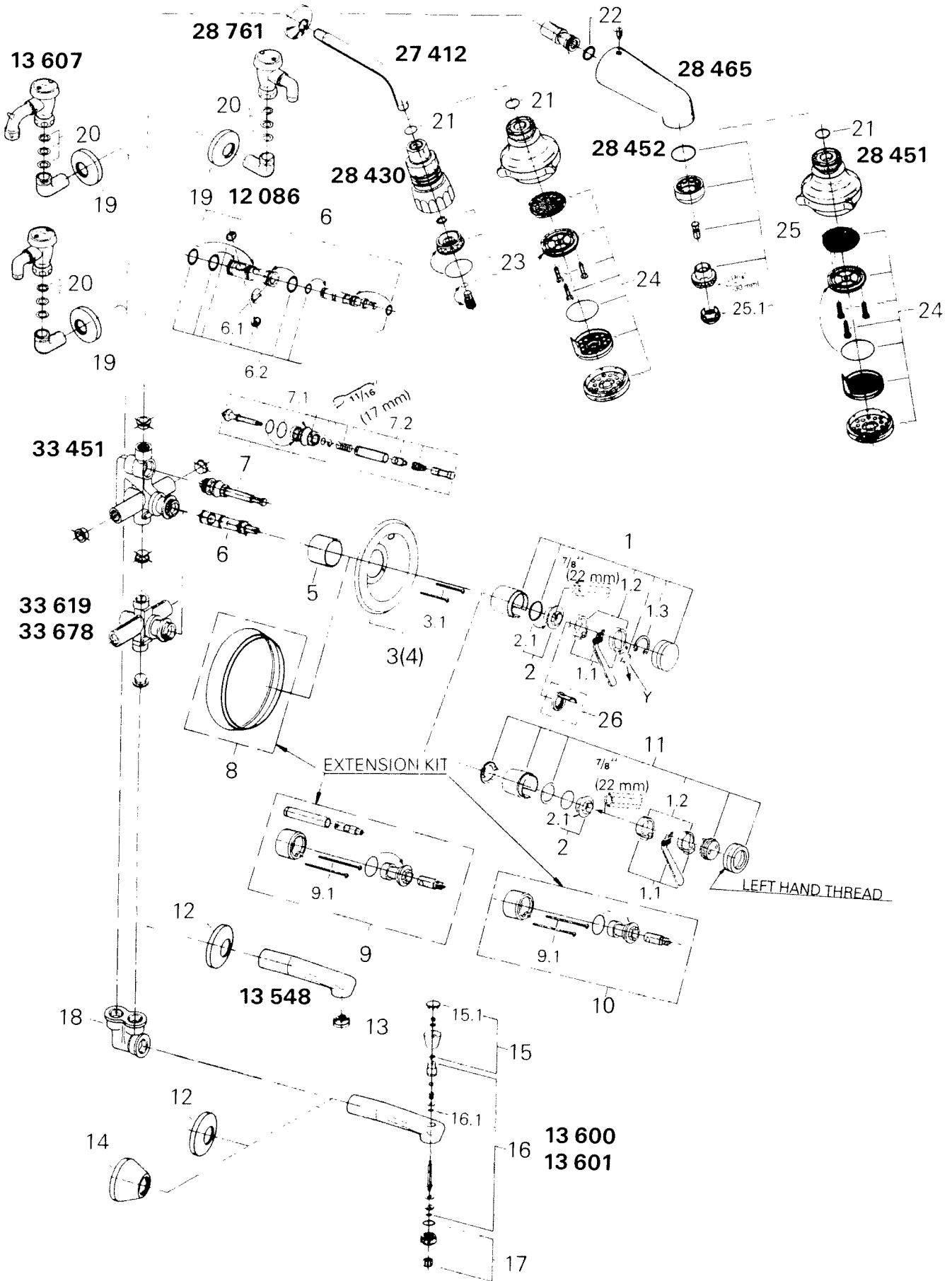


12 086 + 13 607



12 086

Replacement parts



Specification

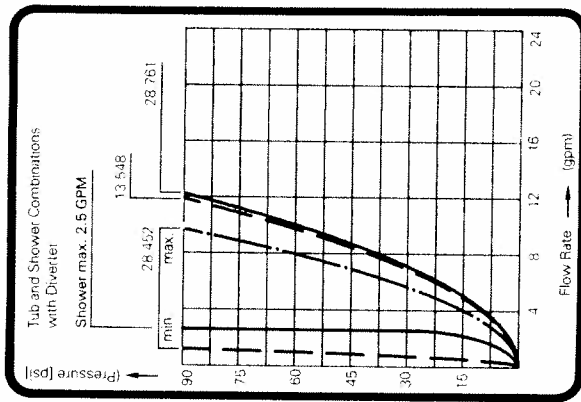
Application

- Pressurized storage heaters.
- Thermally controlled instantaneous heaters. (set flow temperature to 120° F.)
- Hydraulically controlled instantaneous heaters (operation is however subject to certain restrictions in comfort occasioned by the function of the flow type heater).

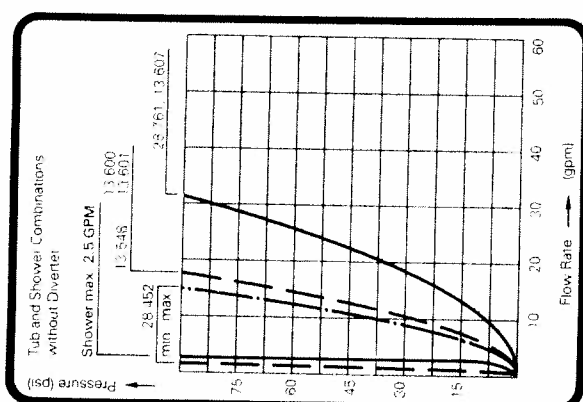
Operation with low pressure storage heaters (displacement water heaters) is **not** possible.

Specification:

- Flow pressure
 - min 7 p.s.i.
 - recommended 15-75 p.s.i.
 - greater than 75 p.s.i., fit pressure reducing valve
- Working pressure - max. 150 p.s.i.
- Test pressure 230 p.s.i.
- Flow delivery see fig. ① and ②
- Temperature
 - max. (hot water inlet) 180° F.
 - recommended (economy setting) 140° F.
- water connection
 - hot - LH
 - cold - RH



①



②

Major pressure differences between cold and hot water supply should be avoided.

Note

With Euromix shower batteries (33.619/33.618) **only one** outlet may be used. The second outlet connection on the housing must be sealed with the plug provided (seal plug thoroughly). By using a 3-way diverter (Catalogue No. 29 700) it is possible to combine this fitting with overhead and hand held showers.

Important:

With all Euromix concealed mixers no shut off valves may be fitted in the outlet (mixed water pipe).

Euromix concealed mixers with no diverter when used with a diverter spout must be installed with a twin ell. This fitting has no by-pass annulus.

Maintenance/Care

Maintenance see figs. ⑨, ⑩ and fold out page II.
Shut off cold and hot water supply

1. Remove cap. See instructions for reversed connections on page 3.
2. Remove top lever support and lever.
3. Unscrew headpart (2) by turning counter-clockwise with 7/8" (22 mm) A/F box spanner and remove with lever holder.
4. Remove cartridge (6) by pulling control piston.
5. Dismantle cartridge as follows, see fig. ⑨
 - grip clip (O) at the side and extract.
 - Pull control piston (N) out of cartridge sleeve (P).
6. Clean cartridge, check, renew if necessary and lubricate with special fittings grease. Cat. No. 18012. Renew seals if necessary.
7. **Seal set for cartridge** Cat. No. **46 090**. Clean all components, check and renew if necessary and grease with special fittings grease (Cat. No. 18 012).
8. Unscrew Flow control and clean strainer (13, 17).

Only original **Friedrich Grohe** replacement parts may be used.

Reassemble in reverse order.

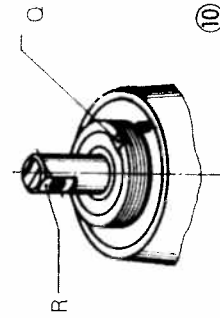
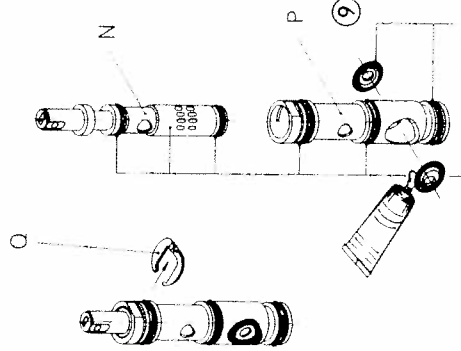
Insert cartridge in housing turning it slightly back and forth.

Note:

The tongue of clip (O) **must** engage in the recess on the mixer body (rotation lock), see fig. ⑩. The flat (R) of the control piston must be on the left, see fig. ⑩. If the hot/cold function does not agree with the colour symbols on the indicator ring, see "Reversed connection", page 3 fig. ⑧.

Care

Instructions for Care of this one-hand mixer will be found in the Instructions for Care supplied



Installation

Prepare installation wall

Chisel out holes for mixer battery and installation fittings (e.g. 3-way) diverter as well as recesses for the pipes.

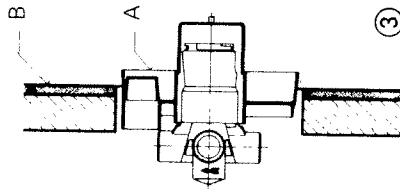
Euromix mixers should be installed with use of installation template/cover.

Permissible tolerances are shown in the dimensioned drawings, see fold out page I.

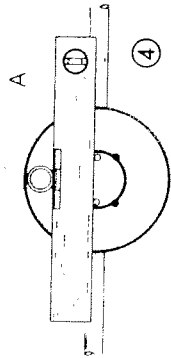
The front of the installation template (A) should be flush with the finished tiled surface (B), see Fig. ③. Note that the arrow in the housing and on the template must point upwards.

The hot water supply should be on the LHS and the cold water supply on the RHS.

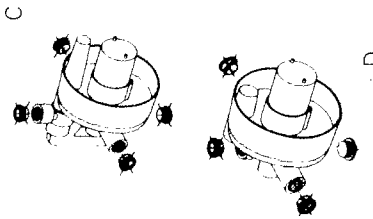
Reversed connection see page 3 fig. ⑧.



③



④



⑤

Leveling the Euromix mixer, see fig. ④

For this purpose place a spirit level on the lugs of the installation template (A).

Connect pipes, see fig. ⑤

First of all remove sealing plugs (C). The loosely screwed in plug (D) must be sealed in the unused outlet (top or bottom), when the mixer has no diverter.

Turn on cold and hot water supply and check valve connections for leakage.

Flush pipes through thoroughly

For this purpose remove cartridge ⑥, see maintenance page 4.

Installation

Plaster and tile wall

Remove installation template/cover

Fit cover plate (E), see fig. ⑥

If the cover plate cannot be pushed sufficiently far on to sleeve (F), extensions must be added, see replacement parts page 5, items 9 and 10.

If the mixer is not deep enough (cover plate not flush with tiles) a spacer ring should be used, see replacement parts page 5, item 8.

Fit bottom lever support (G), lever (H) and top lever support (I).

For bayonet type caps

Fit wedge (Y) and circlip (K) and secure cap by turning counter clockwise, see fig. ⑥.

For Screw type caps

Fit indicator plate with spigot locating in top lever support. Screw on ring counter clockwise.

Turn on cold and hot water supply and check function of automatic diverter (L), see also Fig. ⑦.

The water supply is turned on by pulling the lever. With the bath mixer (33 452, 33 411) the water will always emerge first of all from the bottom outlet (e.g. bath outlet).

Pushing in selector (L) shuts off the water flow to the bath and diverts the water to the shower outlet.

When the mixer is shut off, the selector is automatically pushed out so that when the mixer is opened again the water emerges from the bottom outlet (e.g. bath outlet).

Reversed connection, see Fig. ⑧

(hot RHS – cold LHS)

For bayonet type caps

Turn cap (M) clockwise.

Remove circlip (K) with circlip plier from groove of lever mount (O).

Extract wedge (Y).

For Screw type caps

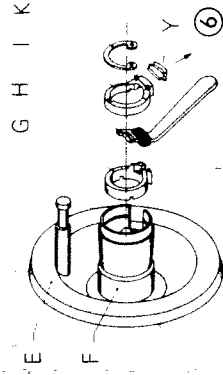
Unscrew ring (T) clockwise.

Remove indicator plate (S).

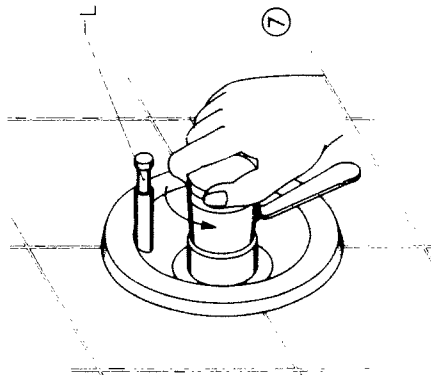
Remove top lever support (I) and lever (H).

Turn control piston (N) through 180°.

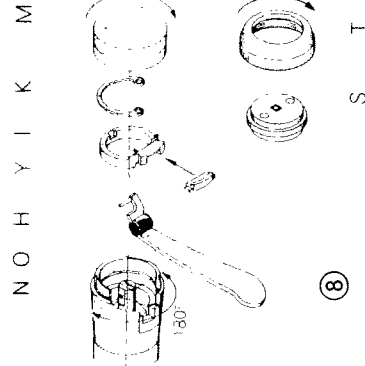
The water need **not** be shut off for this purpose.



⑥



⑦



⑧

Replacement parts

Specification Page Nos.

Technical Product Information

DRG REF	4-1 DRG REF	4-2 DRG REF	CII-13 DRG REF	CII-14 DRG REF	DRG REF	Description	Cat. No.	Packing unit
	1	1			1	Cap and Head Set (without lever)	46.023	1
	1.2	1.2	1.1	1.1	1.1	Lever and Supports	46.026	1
	1.3	1.3	1.2	1.2	1.2	Lever supports	46.037	2
		1.4			1.3	Circlip	05.249	1
	2	2	2	2	2	Head Nut with O-Ring	46.022	1
					2.1	Head O-Ring	02.967	10
	3		3		3	Escutcheon for Diverter types	07.533	1
	3.1	3.1	3.1	3.1	3.1	Escutcheon Screw	00.038	2
		3		3	4	Escutcheon	07.640	1
	4	4	4	4	5	Body Sleeve	05.495	1
	5	5	5	5	6	Cartridge	07.000	1
	5.1	5.1	5.1	5.1	6.1	Clip	00.117	5
	5.2	5.2	5.2	5.2	6.2	Cartridge Washer Set	46.090	1
	6		6		7	Automatic Diverter Complete	07.531	1
	6.1		6.1		7.1	Diverter Washer Set	45.031	1
	6.2		6.2		7.2	Diverter Button Set	46.008	1
	8	7	7	6	8	Shallow Wall Escutcheon (Opt.)	46.035	1
	9		8		9	Extension Kit for Diverter Types (Opt.)	46.009	1
	9.1	8.1	8.1	7.1	9.1	Long Screws (Opt.)	00.039	2
		8		7	10	Extension Kit (Opt.)	46.013	1
			1	1	11	Cap and Head Set (without lever)	46.085	1
			9	8	12	Flange	06.388	1
			10	9	13	Flow Regulator	03.154	1
				13	14	Flange	06.389	1
				10	15	Diverter Knob	46.007	1
				10.1	15.1	Diverter Cap	03.288	1
				11	16	Diverter Set	45.166	1
				11.1	16.1	Diverter Spindle O-Ring	01.283	20
				12	17	Flow Regulator	45.167	1
				18	18	Twin Ell (Opt.)	03.671	1
			15	19	19	Flange	06.386	1
			16	20	20	Washer	01.386	10
			12	15	21	Washer	01.389	1
			14	17	22	Screw and O-Ring	45.137	1
			11	14	23	Shower Rose Kit	45.112	1
					24	Shower Rose Kit	45.101	1
			13	16	25	Shower Spray Set	45.130	1
			13.1	16.1	25.1	End Cap	02.400	1
	7	6			26	Stop	00.069	1

GROHE America Inc.
900 North Lively Boulevard
Wood Dale,
IL 60191

Subject to technical modifications without notice.