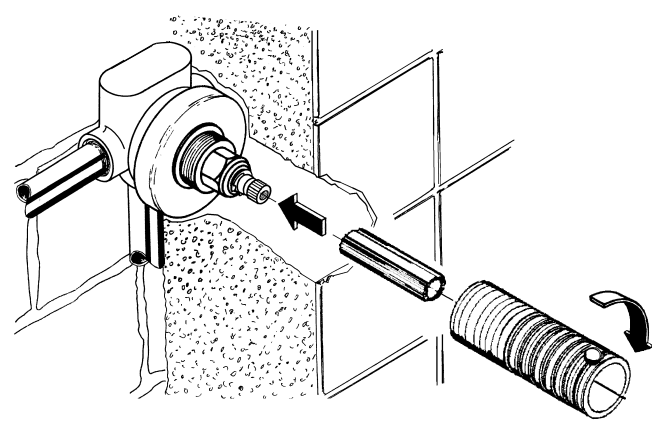




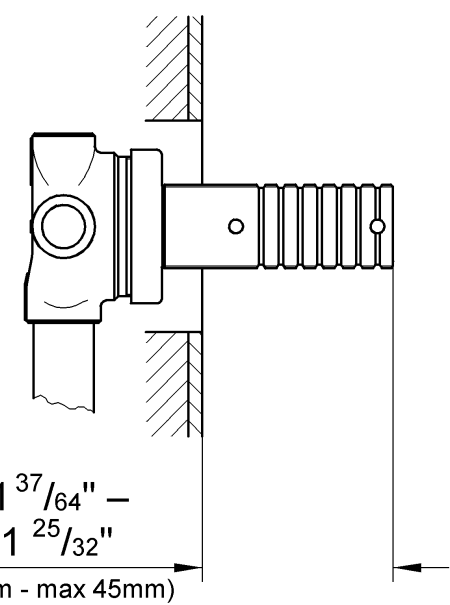
# GROHE

WATER TECHNOLOGY

## 19 166 / 19 181

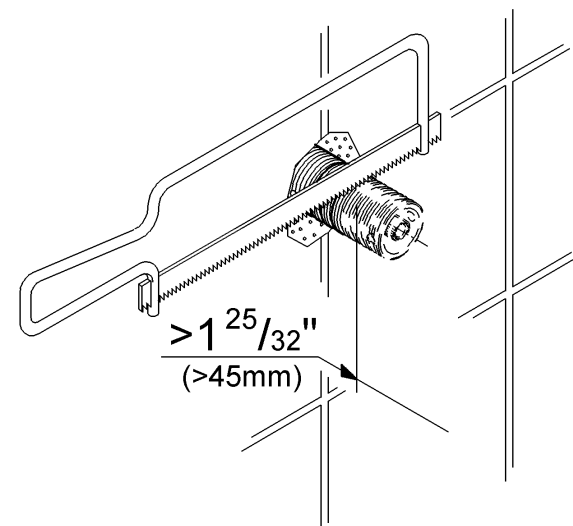


1.



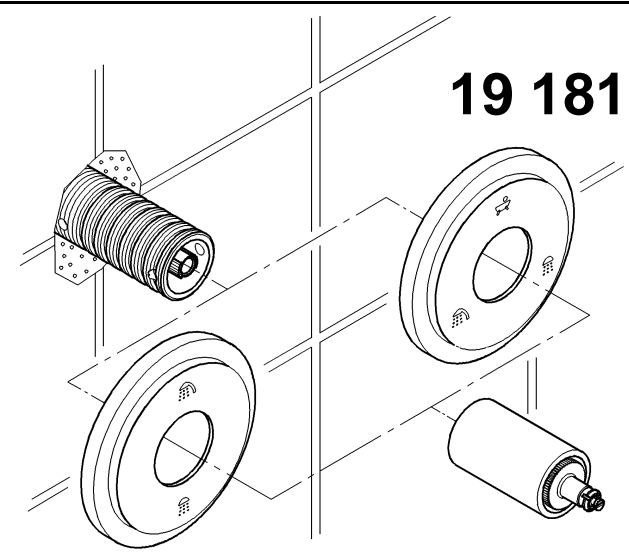
2.

min 1 <sup>37</sup>/<sub>64</sub>" –  
max 1 <sup>25</sup>/<sub>32</sub>"  
(min 40mm - max 45mm)



3.

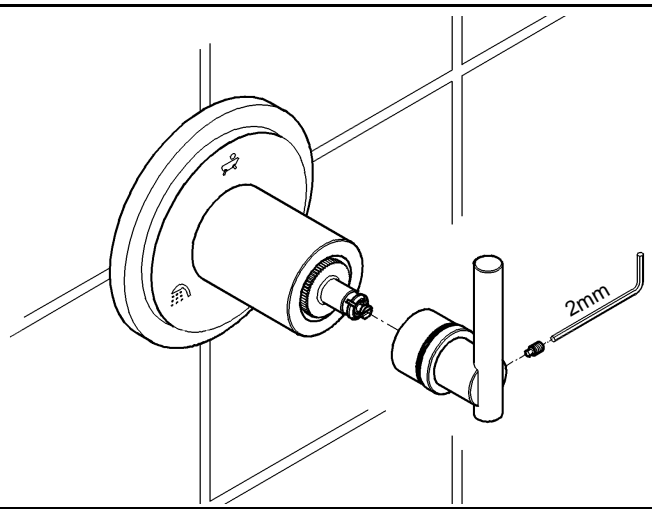
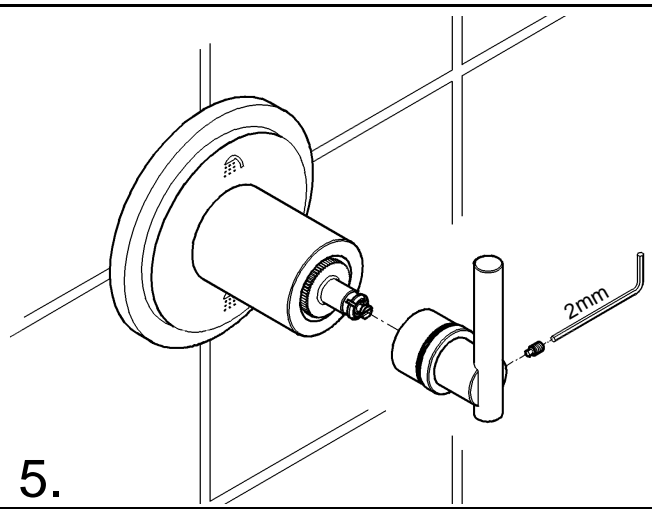
> 1 <sup>25</sup>/<sub>32</sub>"  
(>45mm)



4.

19 181

19 166



5.

