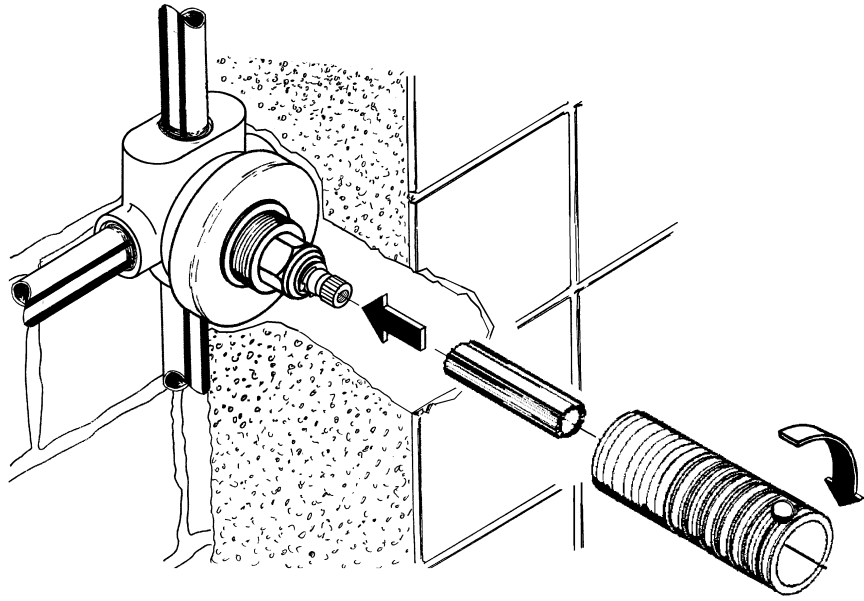
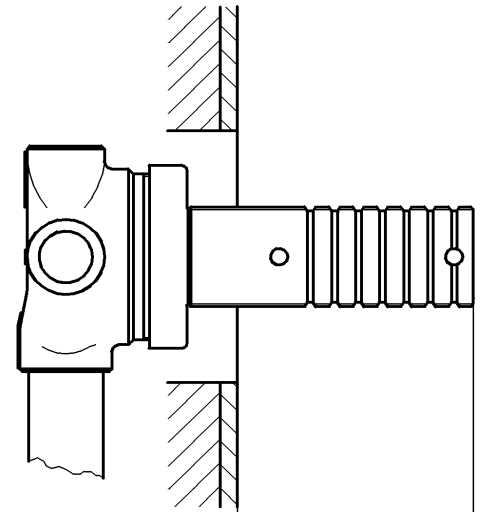


19 906 / 19 908 / 19 909

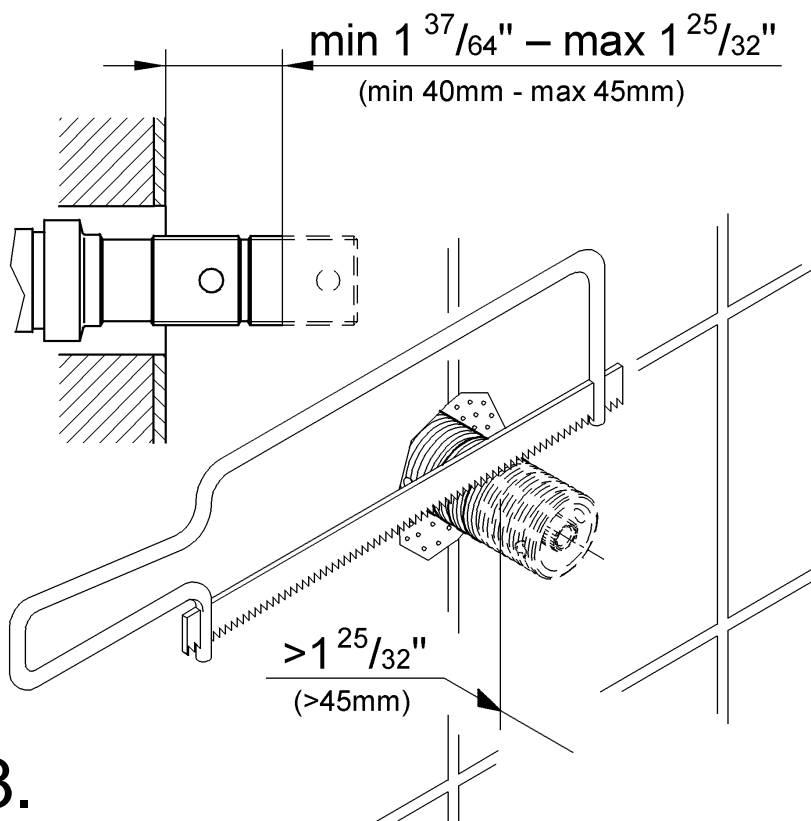


1.

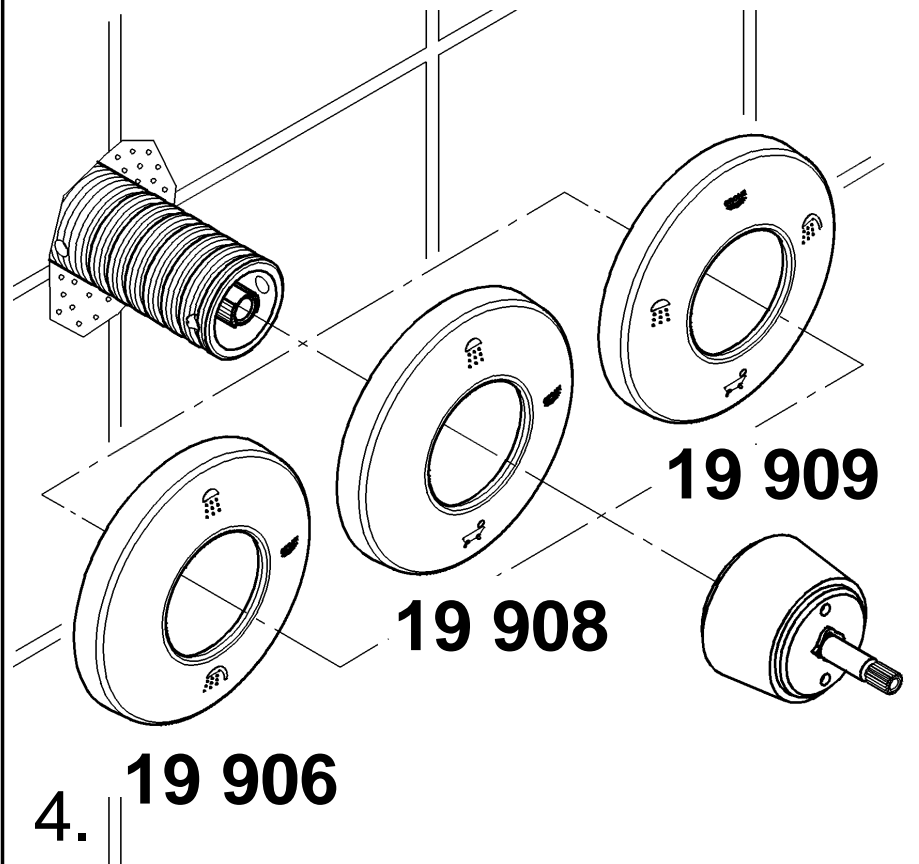


min $1 \frac{37}{64}$ " – max $1 \frac{25}{32}$ "
(min 40mm - max 45mm)

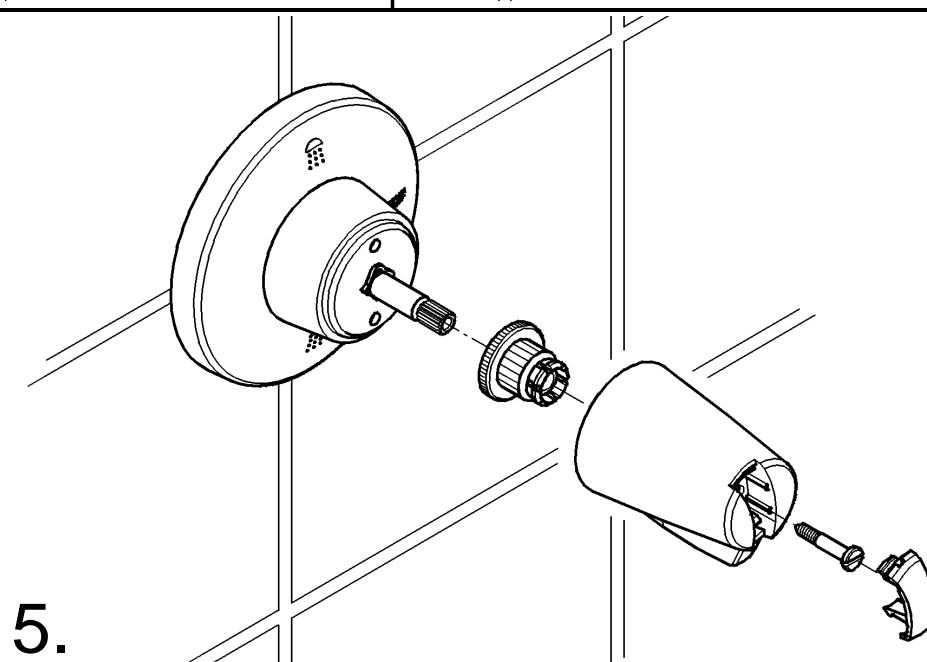
2.



3.



4.

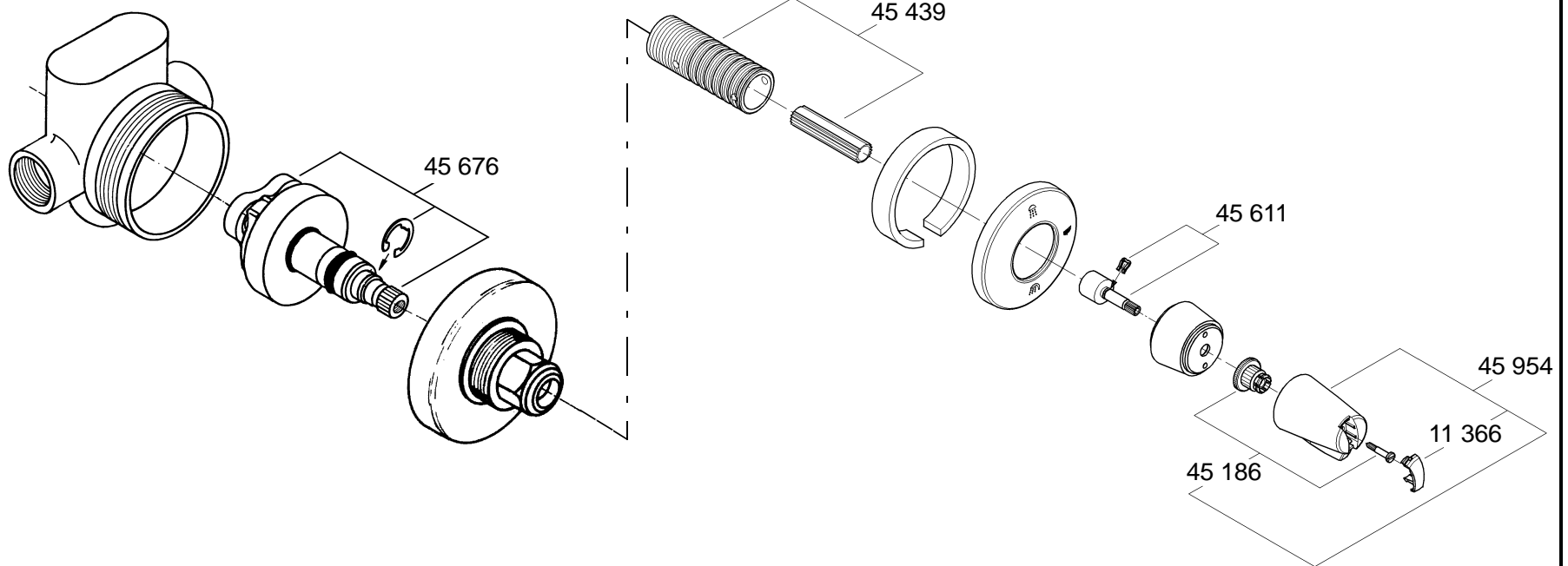


5.



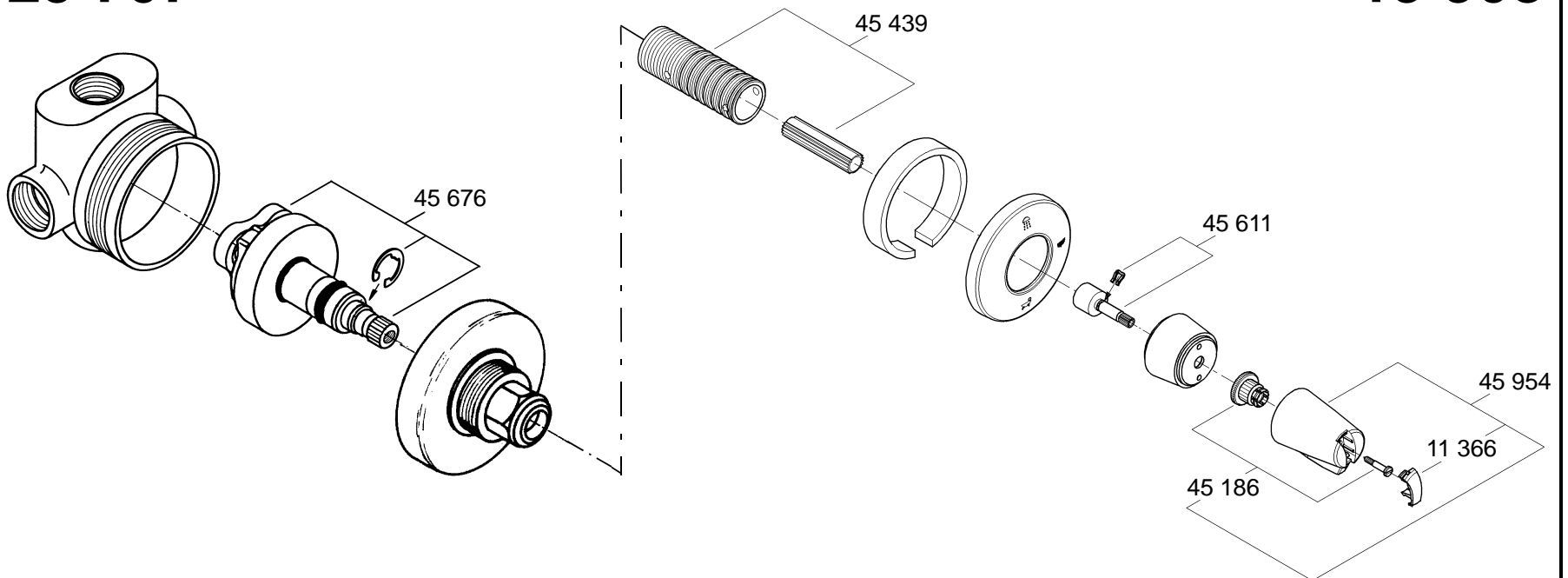
29 706 / 29 712

19 906



29 707

19 908



29 708 / 29 714

19 909

