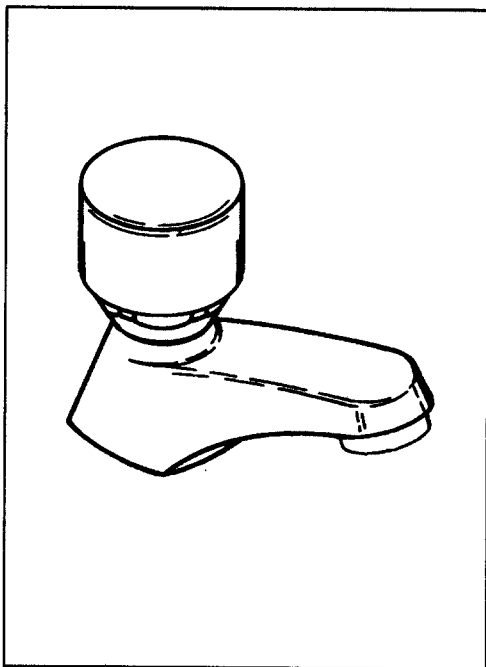
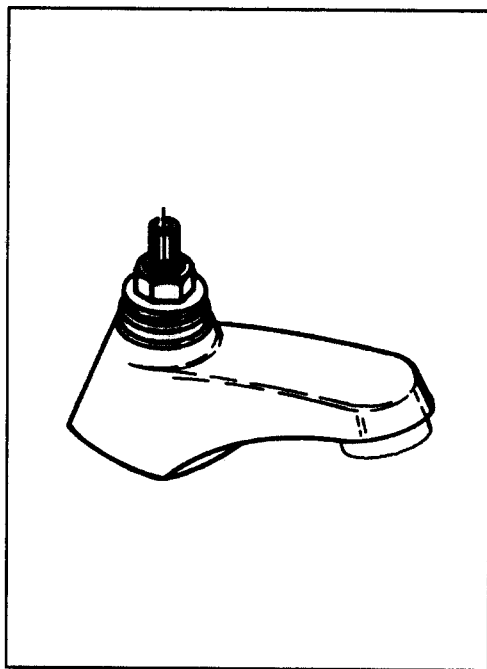




## Basin Taps



20 095



20 151 and variants

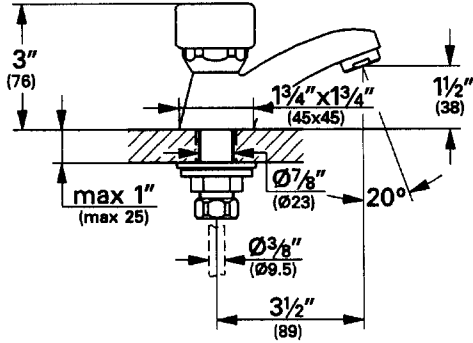


**Installation dimensions**  
Inch and (mm)

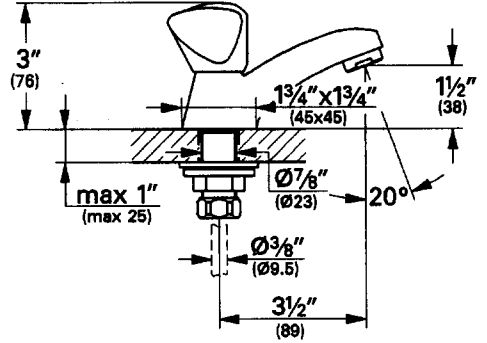
**Dimensions pour l'installation**  
Pouce et (mm)

**Dimensiones de montaje**  
Pulgadas y (mm)

20 095



20 137



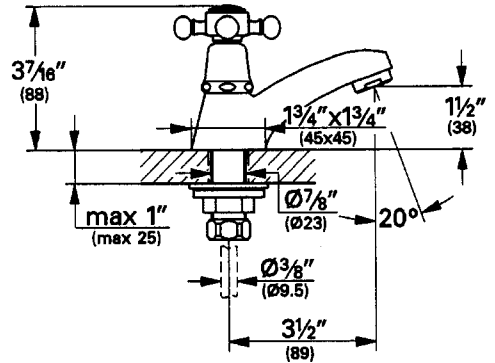
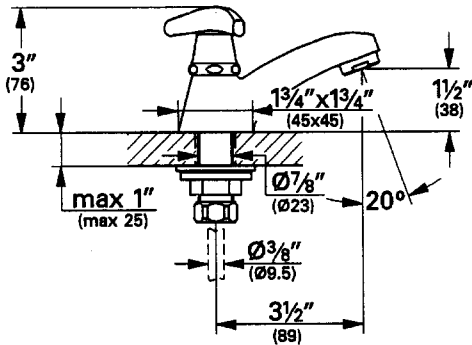
20 165

20 166 (with Tricorn handle, red)

20 167 (with Lever handle, blue)

20 168 (with Lever handle, red)

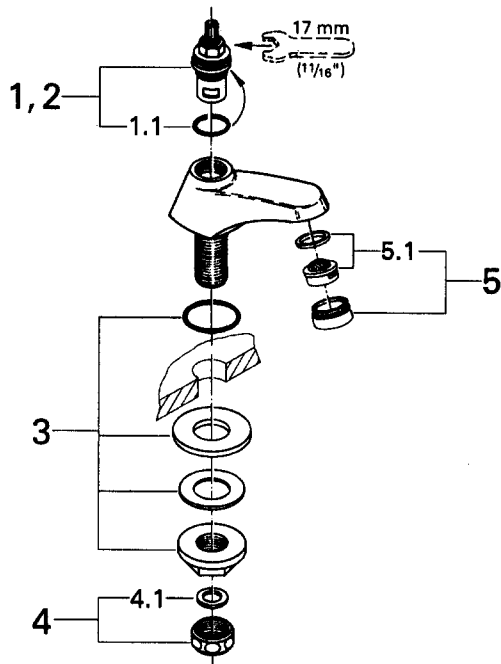
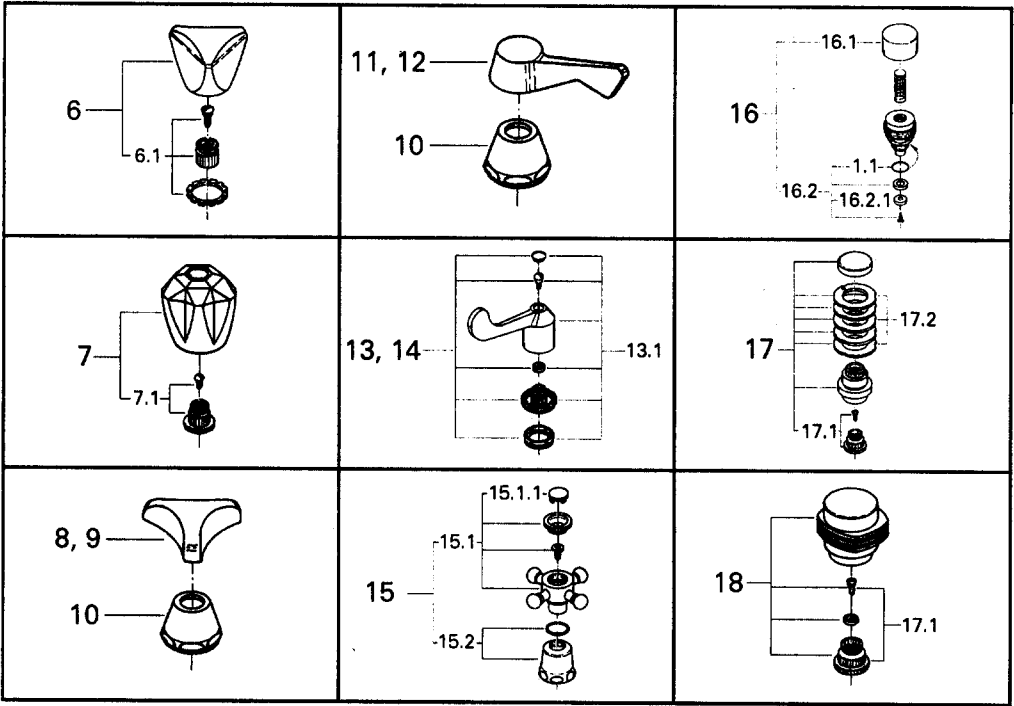
20 176



Replacement parts

Pièces de rechange

Repuestos



## Specification

### Application

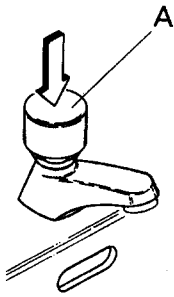
Operation is possible in conjunction with:

- Pressurized storage heaters
- Thermally controlled instantaneous heaters
- Hydraulically controlled instantaneous heaters

Operation with low-pressure storage heaters (displacement water heaters) is **not possible**.

### Specifications

- Max. flow 9.5 L/min or 2.5 gpm/80 psi  
8.3 L/min or 2.2 gpm/60 psi
- Flow pressure
  - min. 7.25 psi
  - recommended 14.5 - 72.5 psi
  - greater than 72.5 psi, fit pressure reducing valve
- Max. operating pressure 145 psi
- Test pressure 232 psi
- Temperature
  - max. (hot water inlet, ceramic cartridge) 176 °F
  - max. (hot water inlet, self closing valve) 120 °F
- Water connection hot or cold
- Nominal operation time 0 - 20 sec.
- The factory-set operating time is  $20 \pm 5$  sec.



[1]

## Installation

**Flush pipes thoroughly.**

**Mount basin tap on lavatory**

See dimensional drawing fold-out page I.

**Connect basin tap**

**Open angle stop and check function of faucet.**

**Check connections for leakage.**

**Operation (self closing cartridge)**

**Operation:** see fig. [1]

The water flow is released for the pre-set operating time by pushing the handle down.

After this time the self closing cartridge stops the water flow automatically and without recoil.

**Changing the operating time:** see figs. [2] and [3]

The factory-set operating time is  $20 \pm 5$  sec. (cold water); if this time is to be changed, proceed as follows:

1. Using a two pin spanner ( $\varnothing 2$  mm).

Hold the threaded ring (B) still and unscrew the cap (A). Remove the cap (A) and operating pin with spring (C).

2. The operating time is reduced by turning the inner screw (D) counter clockwise, see fig. [3].

**Caution:**

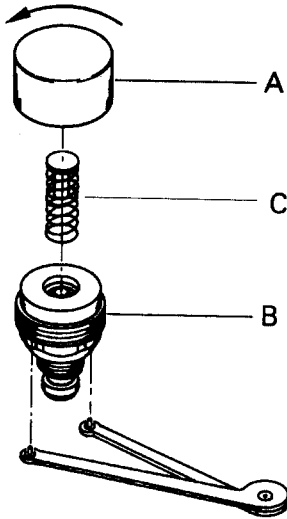
Do not press the inner screw (D) down when the valve is under water pressure (water will be emitted).

3. Refit cap (A) and pin with spring (C) and tighten onto threaded ring (B).

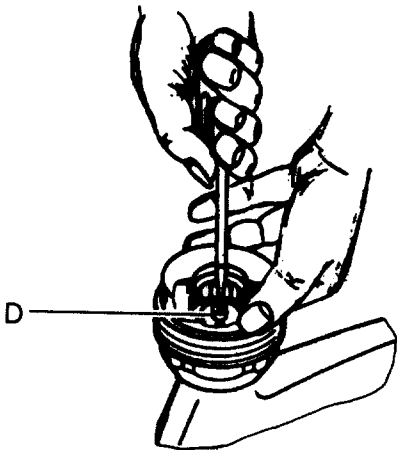
**Note:**

If the inner screw (D) is turned to the left until it reaches its end position the valve will not function (Remains closed).

- This self closing cartridge fits all **Grohe** faucets with a  $G\frac{1}{2}$  thread in body, except concealed stop valves.



[2]



[3]

## Maintenance and Care

### Maintenance

For maintenance, see fig. [4] and fold-out page II.

Shut off water supply.

#### I. Ceramic cartridge (1, 2)

Unscrew the ceramic cartridge using a  $1\frac{1}{16}$ " (17 mm) wrench.

#### II. Self closing cartridge (16)

Remove bleedscrew and seal (16.2) and clean them removing any lime scale.

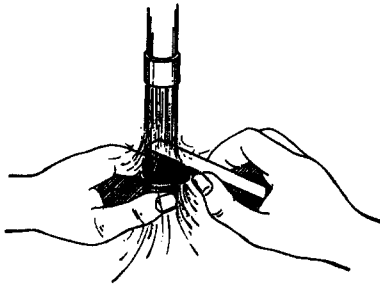
#### III. Flow regulator (5)

Unscrew and clean flow regulator, see fig. [4].

Check, clean and if necessary, replace parts.

Grease with special valve grease (Cat. No.18 012).

Assemble in reverse order.



[4]

Only original **Grohe** replacement parts may be used.

### Care

Instructions for care of this basin tap will be found in the Limited Warranty supplement.

## Replacement parts

No.	Description	Cat. No.	Pack- ing unit	No.	Description	Cat. No.	Pack- ing unit
1	Ceramic cart. 90°, right	45 625	1	15	Arabesk handle cpl.	45 277	1
1.1	Body seal O-ring	03 924	10	15.1	Arabesk handle	45 678	1
2	Ceramic cart. 90°, left	45 626	1	15.1.1	Marking plate	45 679	1
3	Mounting set	45 000	1	15.2	Cap cartridge Arabesk	45 680	1
4	Connection nut set	12 902	2	16	Self closing cartridge	11 012	1
4.1	Washer	01 389	10	16.1	Cap	03 039	1
5	Flow regulator	13 955	1	16.2	Sealing set	45 218	1
5.1	Flow regulator set	45 220	1	16.2.1	Seat washer	05 291	50
6	TDL handle, neutral	06 486	1	17	Ultra 100 handle	18 906	2
6.1	Handle connection set	45 001	1	17.1	Handle connection set	45 186	1
7	Diamond handle, neutral	06 705	1	17.2	Ultra 100 handle rings	45 205	6
7.1	Handle connection set	45 003	1	18	Ultra 200 handle	45 206	1
8	Tricorn handle, blue	06 113	1				
9	Tricorn handle, red	06 114	1				
10	Cap cartridge	01 702	1				
11	Lever handle, blue	06 923	1				
12	Lever handle, red	06 924	1				
13	Lever 4", blue/red	45 471	1				
13.1	Lever connection set	45 620	1				
14	Lever 6", blue/red	45 472	1				

Subject to technical modification without notice.

