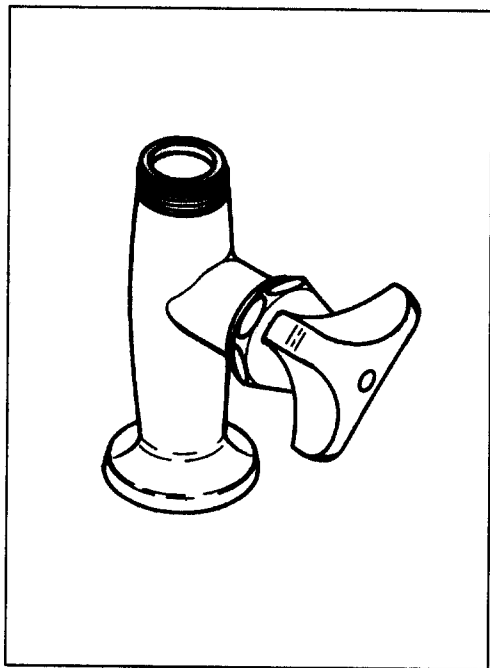
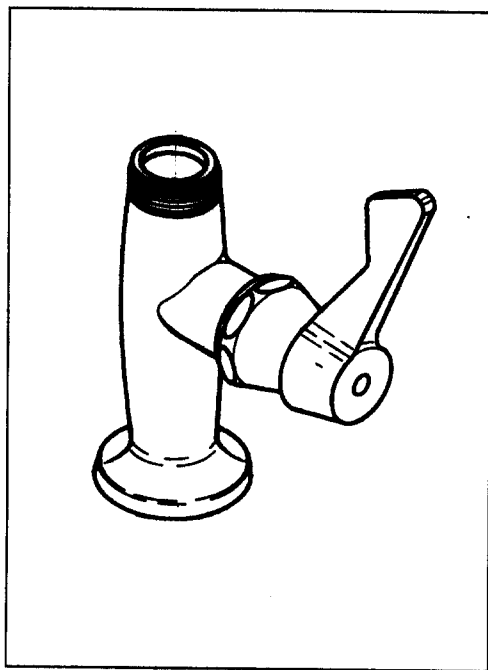




## 4" Pillar Basin Tap



20 160 and variants



20 162 and variants

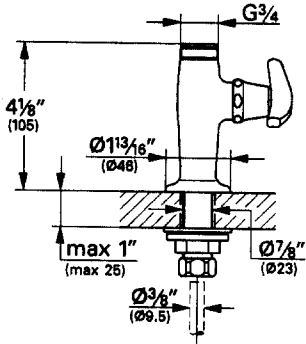


**Installation dimensions**  
Inch and (mm)

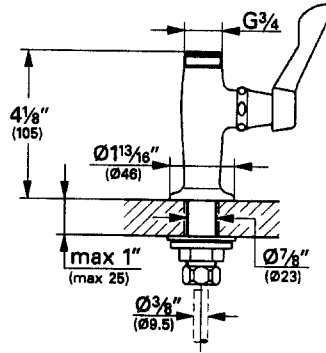
**Dimensions pour l'installation**  
Pouce et (mm)

**Dimensiones de montaje**  
Pulgadas y (mm)

20 160  
20 161

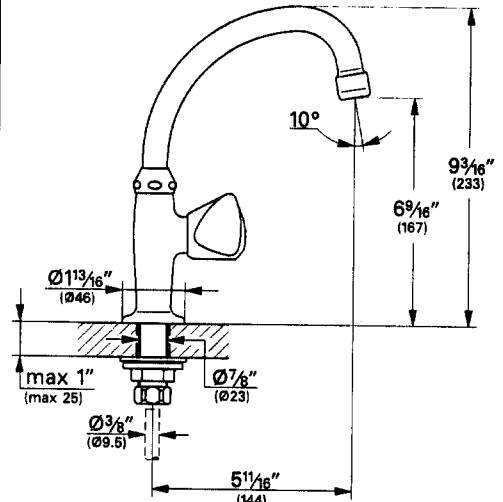
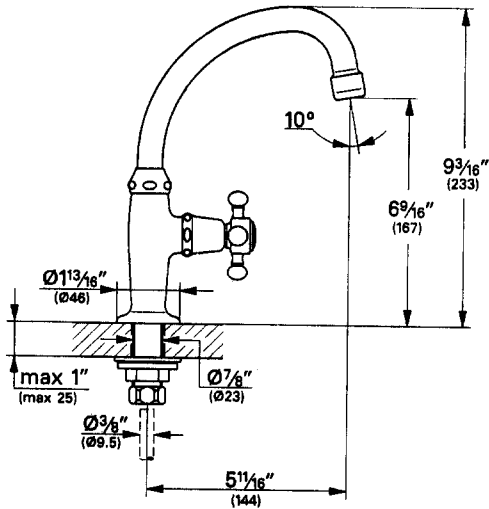


20 162  
20 163  
20 171 (with spout 13 031)  
20 172 (with spout 13 056)



20 175

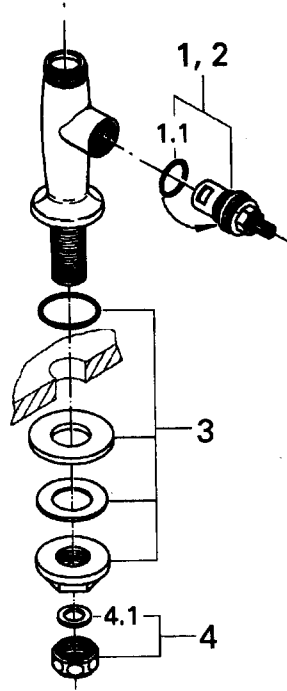
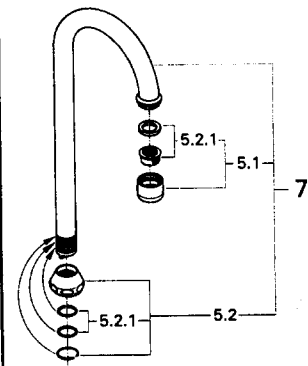
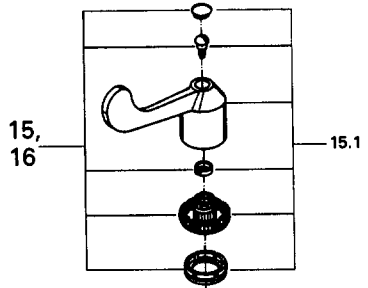
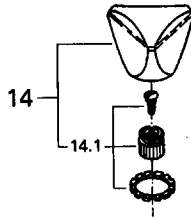
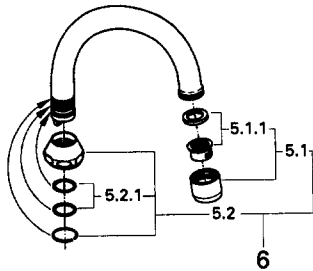
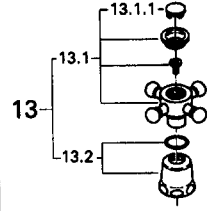
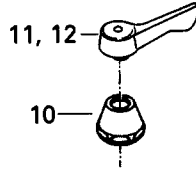
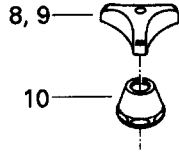
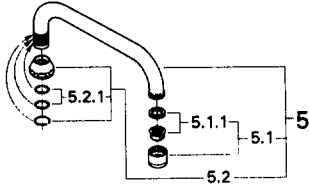
20 440



Replacement parts

Pièces de rechange

Repuestos



## Specification

### Application

Operation is possible in conjunction with:

- Pressurized storage heaters
- Thermally controlled instantaneous heaters (set flow temperature to 120 °F)
- Hydraulically controlled instantaneous heaters

Operation with low-pressure storage heaters (displacement water heaters) is **not** possible.

### Specifications

- Max. flow 9.5 L/min or 2.5 gpm/80 psi  
8.3 L/min or 2.2 gpm/60 psi  
(with Grohe spout)
- Flow pressure
  - min. 7.25 psi
  - recommended 14.5 - 72.5 psi
  - greater than 72.5 psi, fit pressure reducing valve
- Max. operating pressure 145 psi
- Test pressure 232 psi
- Temperature
  - max. (hot water inlet) 176 °F
- Water connection hot or cold

## Installation

### Mount basin tap on lavatory

See dimensional drawings fold-out page I.

**Flush pipe thoroughly.**

### Connect basin tap

For this purpose the copper pipe must be fitted on to the angle stop (or other supply point).

**Open angle stop and check function of faucet.**

**Check connections for leakage.**

## Maintenance

For **Maintenance**, see fig. [1] and fold-out page II.

**Shut off cold and hot water supply.**

### I. Ceramic cartridge

Unscrew the ceramic cartridge (1, 2) using a 17 mm ( $\frac{11}{16}$ " ) wrench.

### II. Flow regulator

Unscrew and clean the flow regulator (5.1), see fig. [1].

Check, clean and if necessary replace parts.

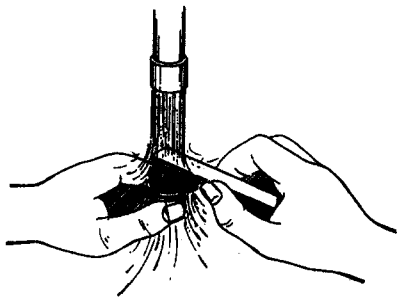
Grease with special valve grease (Cat.No. 18 012).

Assemble in reverse order.

Only original **Grohe** replacement parts may be used.

## Care

Instructions for care of this 4" Pillar Basin Tap will be found in the Limited Warranty supplement.



[1]

## Replacement parts

No.	Description	Cat. No.	Pack- ing unit	No.	Description	Cat. No.	Pack- ing unit
1	Ceramic cart. 90°, right	45 625	1	10	Cap	01 702	1
1.1	Body seal O-ring	03 924	10	11	Lever handle, blue	06 923	1
2	Ceramic cart. 90°, left	45 626	1	12	Lever handle, red	06 924	1
3	Mounting set	45 000	1	13	Arabesk handle cpl.	45 277	1
4	Connection nut set	12 902	2	13.1	Arabesk handle	45 678	1
4.1	Washer	01 389	10	13.1.1	Marking plate	45 679	1
5	Swivel spout 7½"	13 031	1	13.2	Cap cartridge Arabesk	45 680	1
5.1	Flow regulator	13 954	1	14	TDL handle, neutral	06 486	1
5.1.1	Flow regulator set	45 220	1	14.1	Handle connection set	45 001	1
5.2	Spout fitting set	45 006	1	15	Lever 4", blue/red	45 471	1
5.2.1	Spout O-ring seal	01 285	20	15.1	Lever connection set	45 620	1
6	Swivel spout 5½"	13 050	1	16	Lever 6", blue/red	45 472	1
7	Swivel spout 4¼"	13 056	1				
8	Tricorn handle, blue	06 113	1				
9	Tricorn handle, red	06 114	1				

Subject to technical modification without notice.

Grohe America Inc.  
 241 Covington Drive  
 Bloomington, IL  
 60108  
 U.S.A.  
 Technical Services  
 Phone: (708)582-7711  
 Fax: (708)582-7722

Grohe Canada Inc.  
 862 Arvin Avenue, Unit 7  
 Stoney Creek, Ontario  
 Canada, L8E 5P2  
 Technical Services  
 Phone: (905)643-9848  
 Fax: (905)643-9843