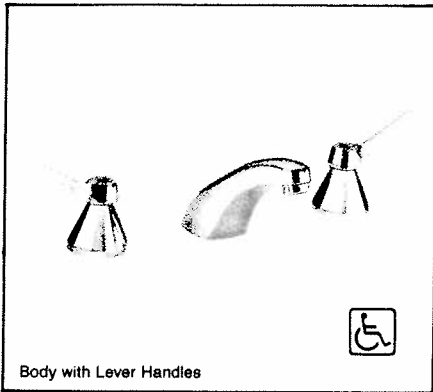
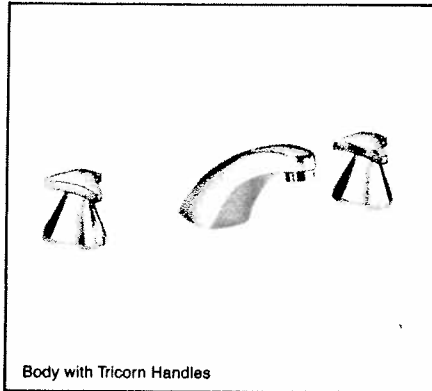


WIDASETS



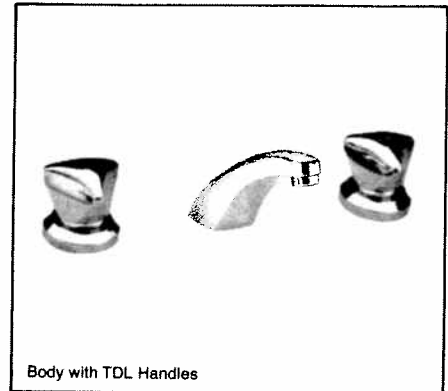
Body with Lever Handles

□ 20.783



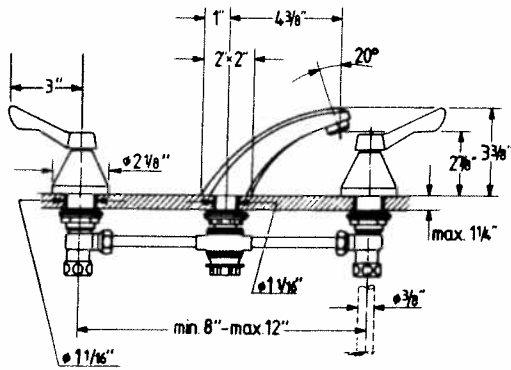
Body with Tricorn Handles

□ 20.782



Body with TDL Handles

□ 20.789



OPTIONS

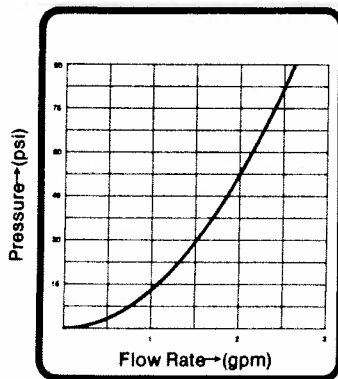
28.951 Grid Strainer

22.964 Angle Stop

12.803 Riser Tube

SPECIFICATIONS

- Wideset lavatory faucet.
- 8" to 12" centers.
- Less pop-up assembly, lift rod, and rod hole.
- Will accommodate up to 1-1/4" deck thickness.
- Washerless ceramic cartridge with 180° turn.
- Vandal resistant handles or levers, color coded.
- All brass with polished chrome plating on exposed parts.
- Spout has 2.75 GPM flow control.
- Maximum test pressure 230 p.s.i.
- Maximum operating pressure 150 p.s.i.
- Recommended operating pressure 15-75 p.s.i.
- Minimum flow pressure 7 p.s.i.
- Maximum water temperature 185° F.

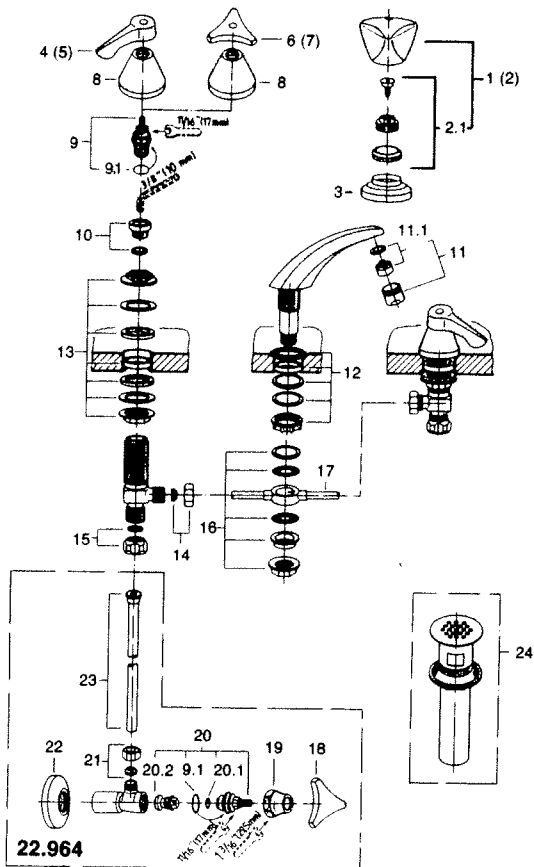


20.782, 20.783, 20.789

GROHE AMERICA



C11-5



DRG REF	PART DESCRIPTION	PART NUMBER	PACK SIZE	Model Number			
				20.783	20.782	20.789	22.964
1	Tricorn Deluxe Handle, Blue	06.491	1			X	
2	Tricorn Deluxe Handle, Red	06.492	1			X	
2.1	Handle Connecting Set	45.001	1			X	
3	Flange	03.394	1			X	
4	Lever Handle, Blue	06.923	1	X			
5	Lever Handle, Red	06.924	1	X			
6	Tricorn Handle, Blue	06.113	1		X		
7	Tricorn Handle, Red	06.114	1		X		
8	Cap	02.988	1	X	X		
9	Ceramic Cartridge	45.140	1	X	X	X	
9.1	Body Seal O-Ring	03.924	10	X	X	X	X
10	Renewable Seat Set	45.023	1	X	X	X	
11	Flow Regulator	13.955	1	X	X	X	
11.1	Flow Regulator Set	45.220	1	X	X	X	
12	Mounting Set--Spout	45.012	1	X	X	X	
13	Mounting Set	45.025	1	X	X	X	
14	Side Connection Nut Set	12.917	1	X	X	X	
15	Inlet Connection Nut Set	12.902	1	X	X	X	
16	Connection Set	45.096	1	X	X	X	
17	Mixing Tube	06.017	1	X	X	X	
18	Tricorn Handle, Neutral	01.647	1				X
19	Cap	01.702	1				X
20	Cartridge	07.146	1				X
20.1	Spindle O-Ring	01.283	20				X
20.2	Seat Washer	05.291	50				X
21	Connection Set	45.168	1				X
22	Flange	06.386	1				X
23	11-3/4" Riser Tube (10mm) (Opt.)	12.803	1				
24	Grid Strainer 1-1/4" (Opt.)	28.951	1				

GROHE AMERICA, INC.
900 Lively Blvd.
Wood Dale, IL 60191
312/350-2600
Telex 287415

DIMENSIONAL DRAWINGS

