

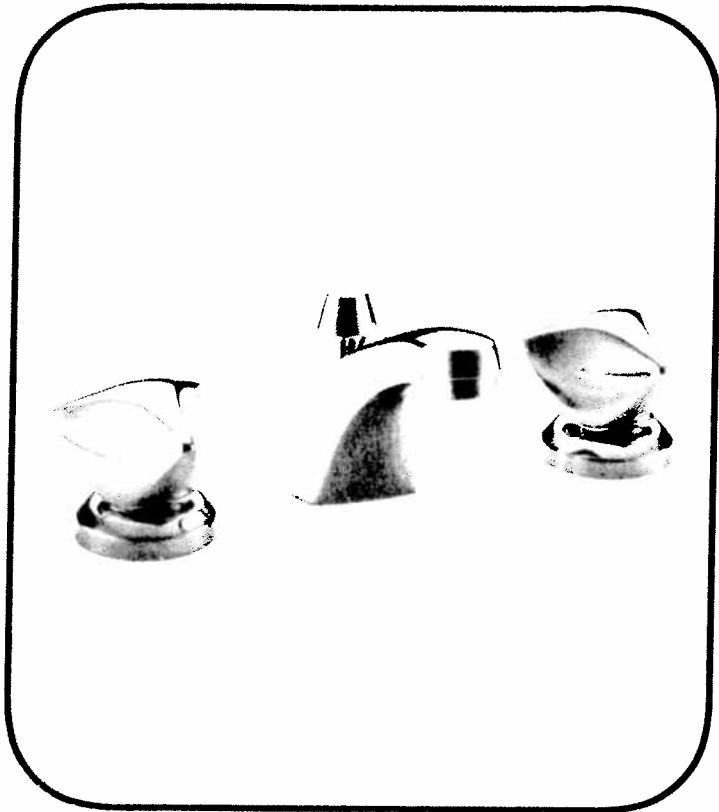
GROHE AMERICA



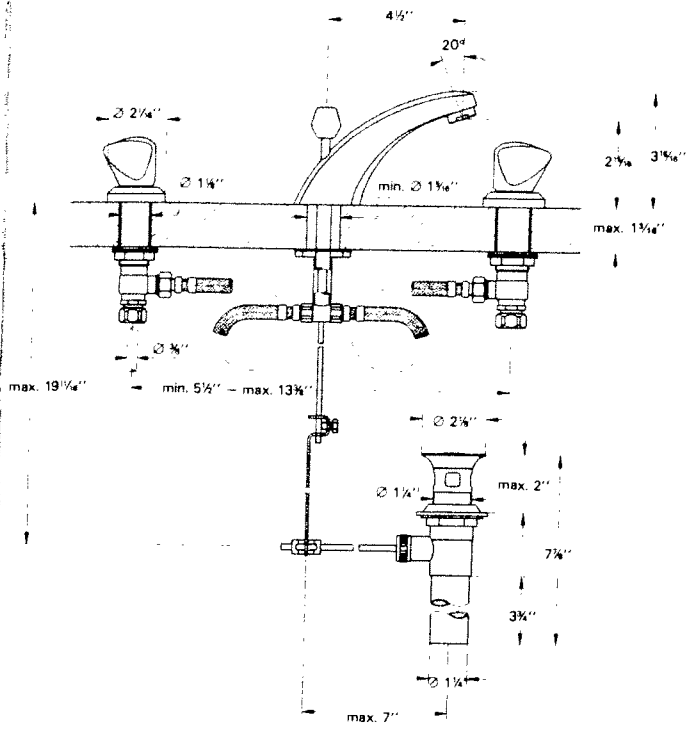
Wideset

20 856, 20 886, 20 851 and variants

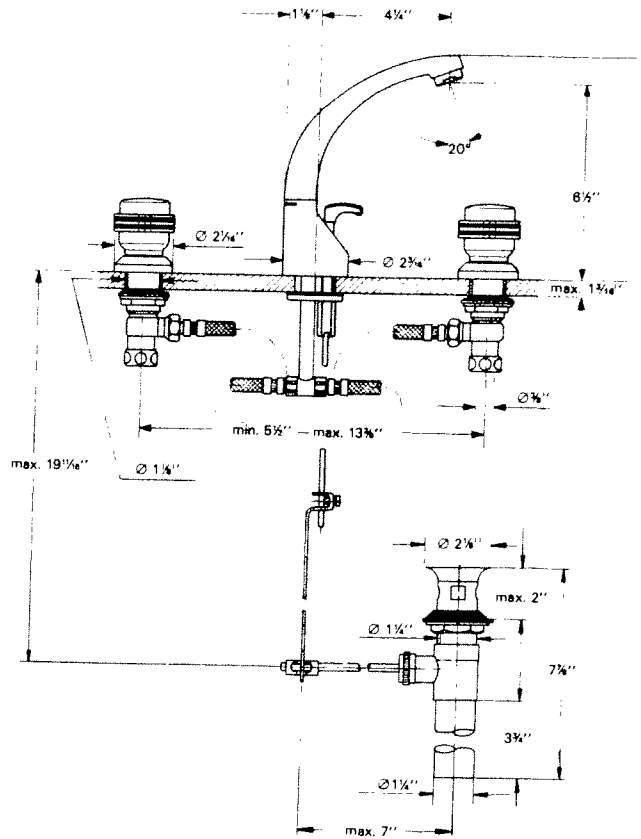
Technical Product Information



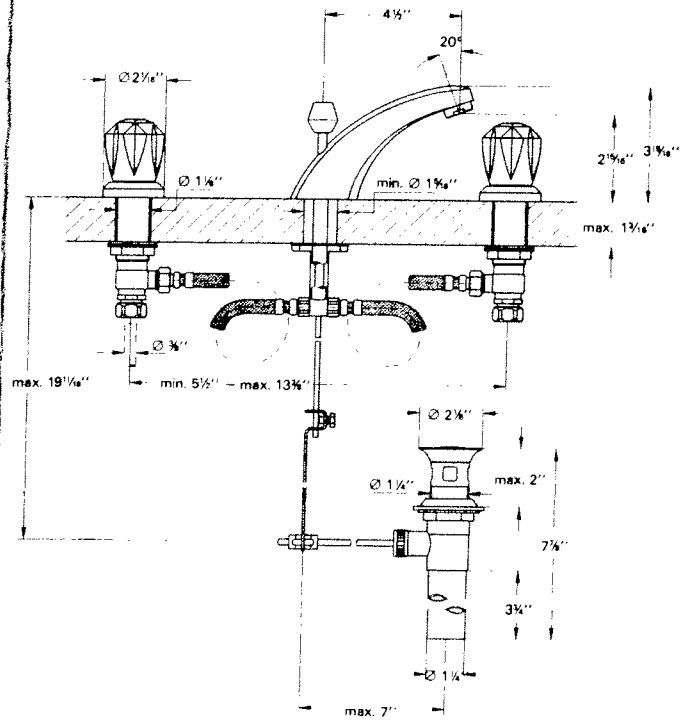
Installation dimensions



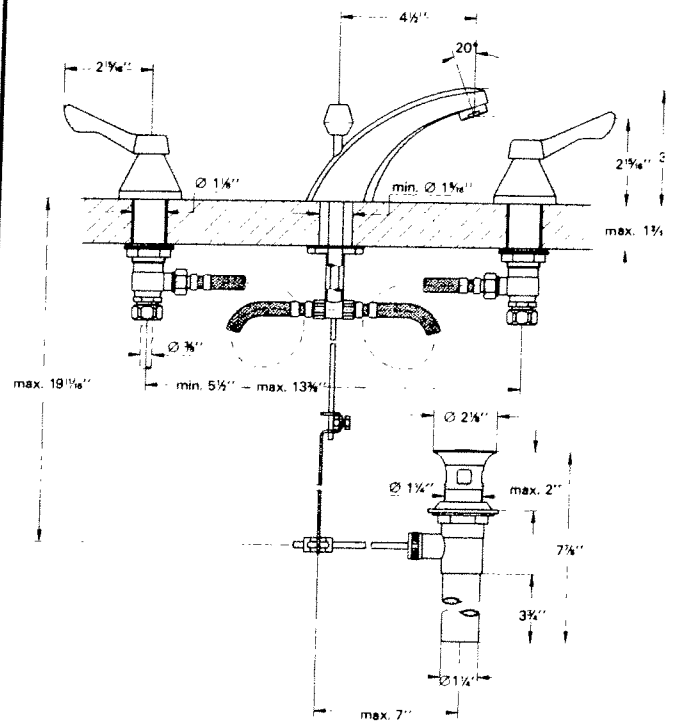
20 856



20 857

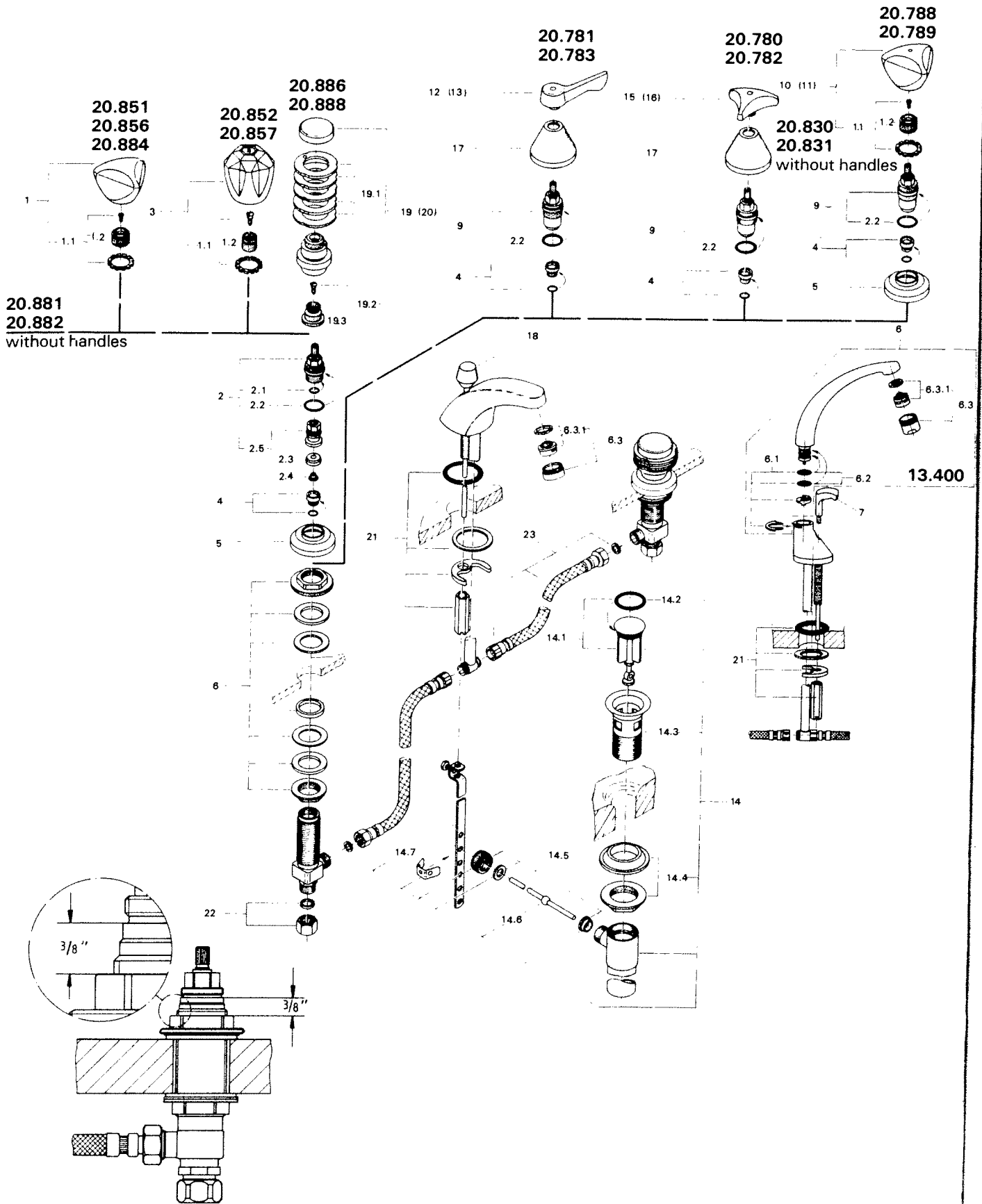


20 856

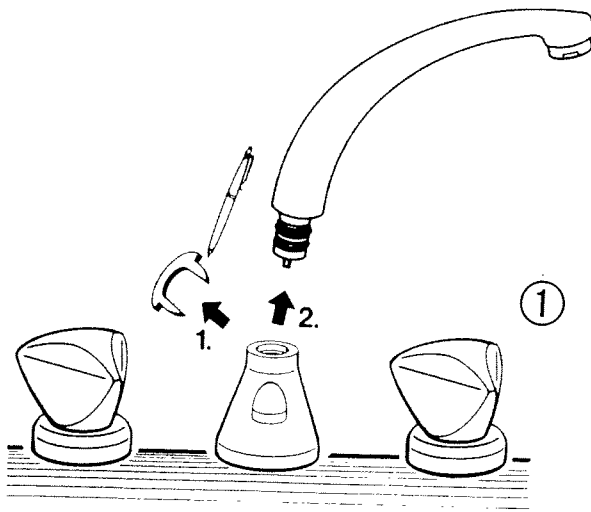


20 857

Replacement parts



Before mounting faucet, pre assemble components.
 Note: The distance from the top edge of the fixing nut to the top of the first sholder on the cartridge must be $\frac{3}{8}$ ".

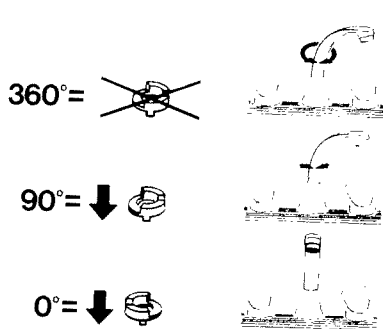


Specification

Application

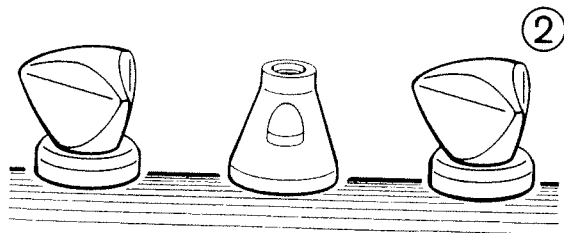
- Pressurized storage heaters.
- Thermally controlled instantaneous heaters (set flow temperature to 120° F.)
- Hydraulically controlled instantaneous heaters (operation is however subject to certain restrictions in comfort occasioned by the function of the flow type heater).

Operation with low pressure storage heaters (displacement water heaters) is **not** possible.



Specification

- max. flow 2.2 GPM
- Flow pressure
 - min 7 p.s.i.
 - recommended 15-75 p.s.i.
 - greater than 75 p.s.i., fit pressure reducing valve
- Working pressure - max. 150 p.s.i.
- Test pressure 230 p.s.i.
- Temperature
 - max. (hot water inlet) 180° F.
 - recommended (economy setting) 140° F.
- water connection hot - LH cold - RH



Note

Major pressure differences between cold and hot water supply should be avoided.

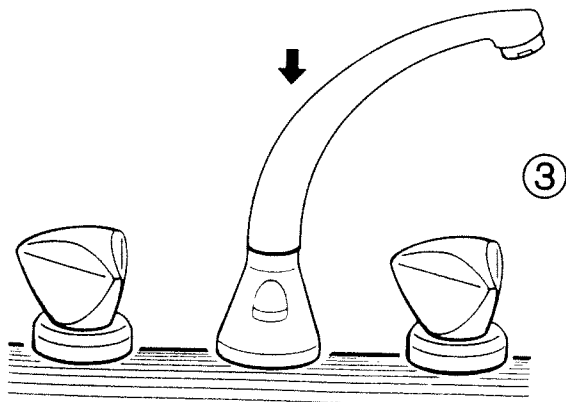
Installation

Flush pipes through thoroughly

Mount wide set on Lavatory.

See dimensional drawings fold out page I.

Swivel spout may be set to swing 360°, 90° or set rigid, see fig. ②.



Connect wide set

For this purpose the copper pipes must be fitted on to the angle stops (or other supply points). The hot water supply should be connected on the LHS and the cold water supply on the RHS.

Open Angle stops and check function of faucet.

Check connections for leakage.

Only original **Friedrich Grohe** replacement parts may be used.

Replacement parts

Specification Page Nos.

Technical Product Information

DRG REF	3-3 DRG REF	3-4 DRG REF	CII-4 DRG REF	CII-5 DRG REF	DRG REF	Description	Cat. No.	Packing unit
	1	1			1	TDL Handle, Neutral	06.490	1
	1.1	1.1	2.1	2.1	1.1	Handle connection Set	45.001	1
					1.2	Fixing Set	03.937	1
	2	2	22	20	2	Cartridge	07.146	1
	2.1	2.1	22.1	20.1	2.1	Cartridge Spindle O-Ring	01.283	20
	2.2	2.2	9.1	9.1	2.2	Body Seal O-Ring	03.924	10
	2.3	2.3	22.2	20.2	2.3	½" Seat Washer	05.291	50
					2.4	Nut	05.292	50
					2.5	Jumper Cpl.	07.503	1
	3	3			3	Diamond Handle, Neutral	08.586	1
	5	4	10	10	4	Renewable Seat Set	45.141	1
	6	5	3	3	5	Flange	03.394	1
		6			6	Swivel Spout	13.400	1
		6.1			6.1	Spout Fitting Set	45.013	1
		6.2			6.2	Spout O-Ring Seal	01.285	20
	8	6.3	12	11	6.3	Flow Regulator	13.955	1
	8.1	6.3.1	12.1	11.1	6.3.1	Flow Regulator Set	45.220	1
		7	11		7	Lift Rod	06.078	1
	10	8	14	13	8	Mounting Set-Valve	45.025	1
			9	9	9	Ceramic Cartridge	45.140	1
			1	1	10	TDL Handle, Blue	06.491	1
			2	2	11	TDL Handle, Red	06.492	1
			4	4	12	Lever Handle, Blue	06.923	1
			5	5	13	Lever Handle, Red	06.924	1
	15	14	19		14	Pop up Waste	28.958	1
	15.1	14.1	19.2		14.1	Pop up Stopper	45.324	1
	15.2	14.2	19.1		14.2	Stopper O – Ring	01.147	1
	15.3	14.3	19.3		14.3	Flange	01.153	1
					14.4	Shank Nut an Bushing	45.266	1
					14.5	Nut and Bushings	45.265	1
					14.6	Ball Rod	45.264	1
					14.7	Strap with Screw	45.263	1
			6	6	15	Tricorn Handle, Blue	06.113	1
			7	7	16	Tricorn Handle, Red	06.114	1
			8	8	17	Cap	02.988	1
	7				18	Lift Rod	06.073	1