

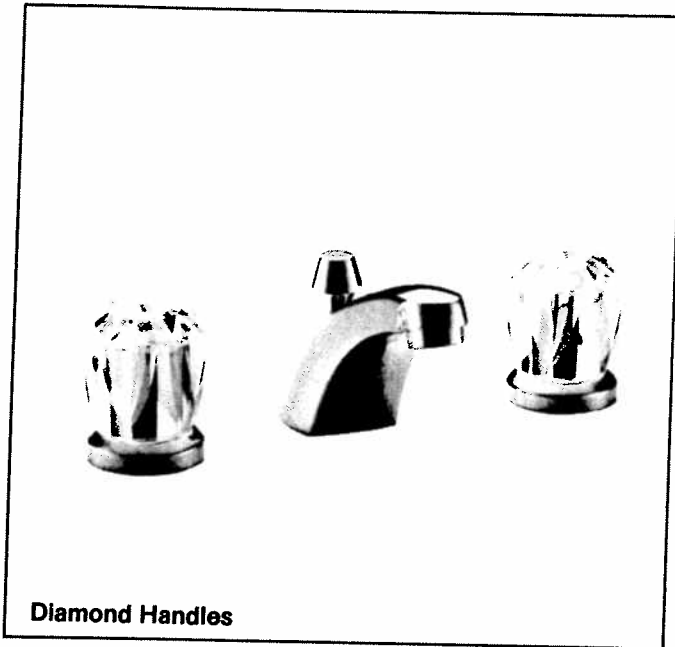
# CLASSIC WIDESETS

8" and 12" Centers

STARTED

FLEX LINES - 8-90

FLEX LINE #45461



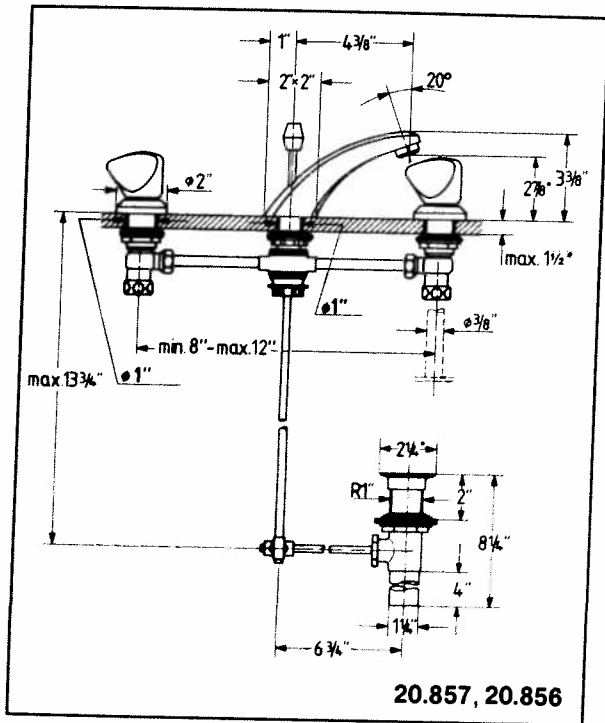
**Diamond Handles**

- 20.857 Polished Chrome
- 20.857-G Gold
- 20.857-B Antique Brass
- 20.857-S Pewter
- 20.857-Y Satin Brass



**Brass Handles**

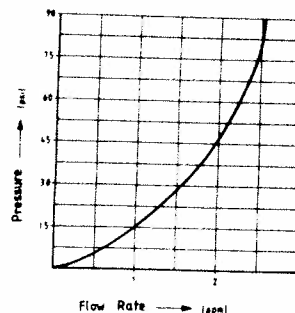
- 20.856 Polished Chrome
- 20.856-G Gold
- 20.856-B Antique Brass
- 20.856-S Pewter
- 20.856-Y Satin Brass
- 20.856-L White
- 20.856-R Polished Brass



Castings shall be of all brass construction. All wear parts shall be replaceable. Plastics shall be used only where necessary to improve design. All joints and mating surfaces shall be constructed as to use the latest in o-ring and sealing techniques. All pressure joints shall be tested via both normal inlets, for leakage and correct assembly. Working water pressure—valves shall be designed for pressures up to 125 psi (8.5 bar). Working temperature—valve shall be designed for temperatures up to 180° F (82° C).

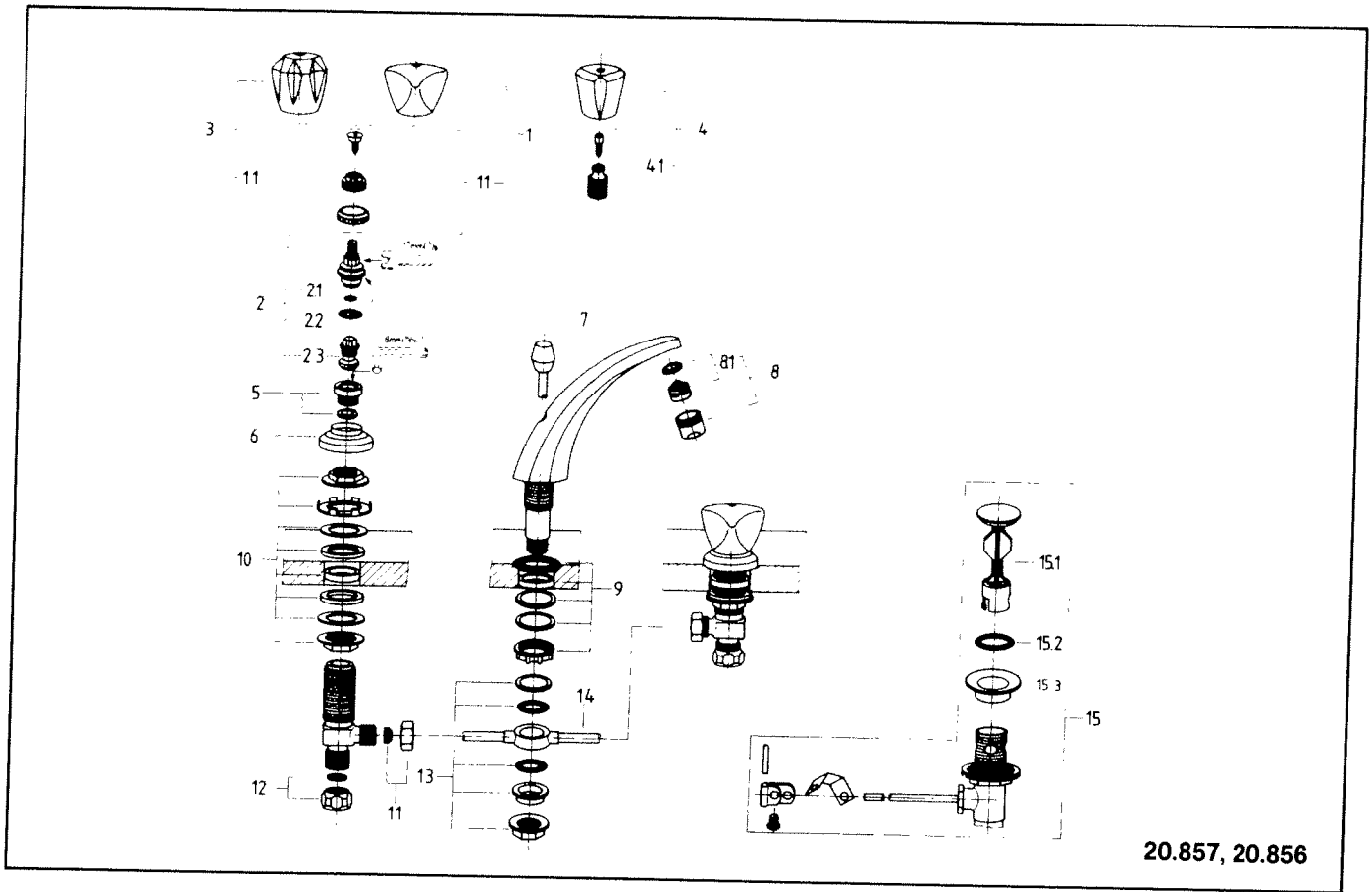
Hot and cold operating mechanism shall be of the cartridge type. Interchangeable and equipped with a non-rotating rubber seal (or a rotating ceramic) type seal, a non-rising stem, internal lubrication, slow acting flow action to reduce noise, and removable seats (not required with ceramic type cartridge). Bodies are to be of permanent mold or of forged construction.

Widesets are to be mountable on either 8" or 12" centers utilizing standard three hole configuration. Spout and side bodies are to be of cast brass with a maximum installation thickness of 1 1/2". Spouts are to be fixed. Lift rods are to have an in-spout seal and stop. Integrated 2.5gpm aerator shall be cleanable without the complete disassembly of the screens. Waste assembly is to be of cast and tubular brass, with a thickness of not less than 17 gauge. Stopper to be fixed or removeable for cleaning. Handles are to be secure but removeable for maintenance.



**GROHE AMERICA**





20.857, 20.856

DRG REF	PART DESCRIPTION	PART NUMBER	PACK SIZE	MODEL NUMBER	
				20.857	20.856
1	TDL Handle	06.490*	1		X
1.1	Handle Connection Set	45.001	1	X	X
2	Cartridge	07.146	1	X	X
2.1	Cartridge Spindle O-Ring	01.283	20	X	X
2.2	Body Seal O-Ring	03.924	10	X	X
2.3	1/2" Seat Washer	05.291	50	X	X
3	Diamond	08.586*	1	X	
4	Metal Handle	45.122	1		
4.1	Mtl Handle Connection Set	45.121	1		
5	Renewable Seat Set	45.141	1	X	X
6	Flange	02.530*	1	X	X
7	Lift Rod	06.073*	1	X	X
8	Flow Regulator	13.951*	1	X	X
8.1	Flow Regulator Set	45.160	1	X	X
9	Mounting Set-Spout	45.012	1	X	X
10	Mounting Set-Valve	45.025	1	X	X
11	Side Connection Nut Set	12.917	2	X	X
12	Inlet Connection Nut Set	12.902	2	X	X
13	Connection Set	45.096	1	X	X
14	Mixing Tube	06.017	1	X	X
15	Pop up Waste	28.948*	1	X	X
15.1	Pop up Stopper	08.373*	1	X	X
15.2	Stopper O-Ring	05.343	10	X	X
15.3	Flange	02.483*	1	X	X

\*Specify Decorative Finish Color:  
G-Gold; B-Antique Brass; S-Pewter; Y-Satin Brass.

**GROHE AMERICA**

Grohe America, Inc.  
Subsidiary of Friedrich Grohe, West Germany  
900 Lively Blvd., Wood Dale, IL 60191  
708/350-2600 FAX 708/350-2615

