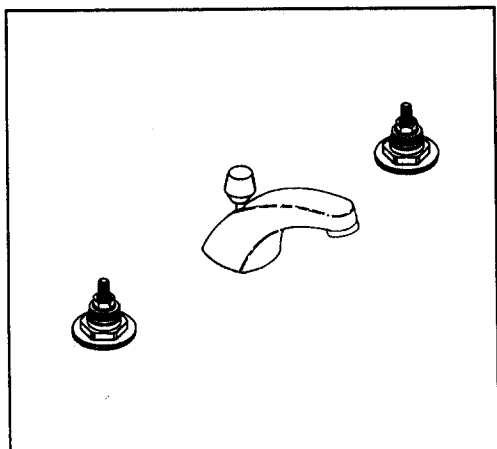
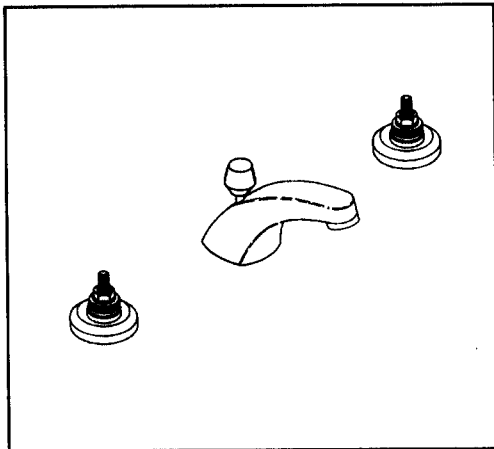




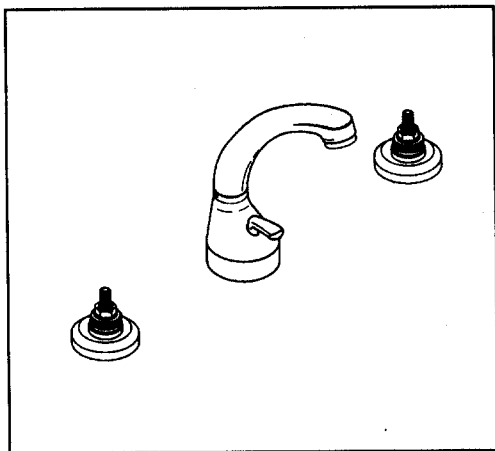
# Wideset



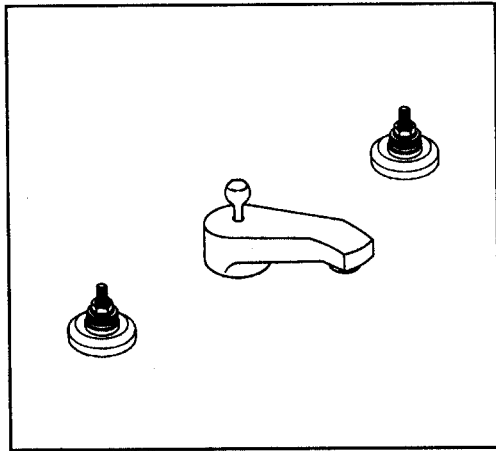
20 830 and variants



20 881 and variants



20 882 and variants



20 883 and variants

Printed on chlorine-free bleached paper.  
Imprimé sur papier blanchi sans chlore.  
Impreso en papel blanqueado sin cloro.



**Installation dimensions**

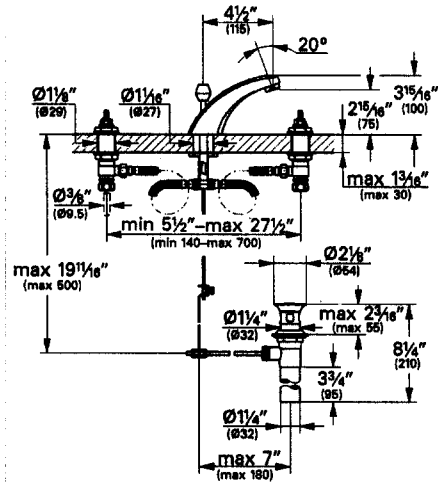
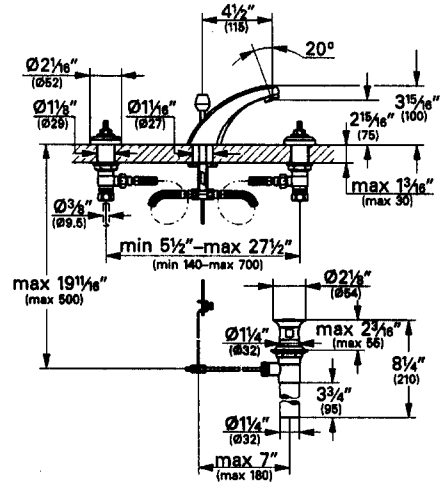
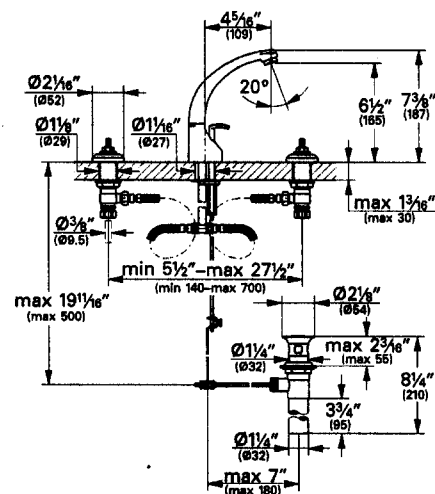
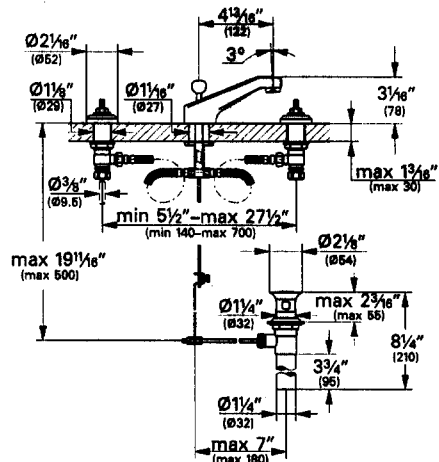
Inch and (mm)

**Dimensions pour l'installation**

Pouce et (mm)

**Dimensiones de montaje**

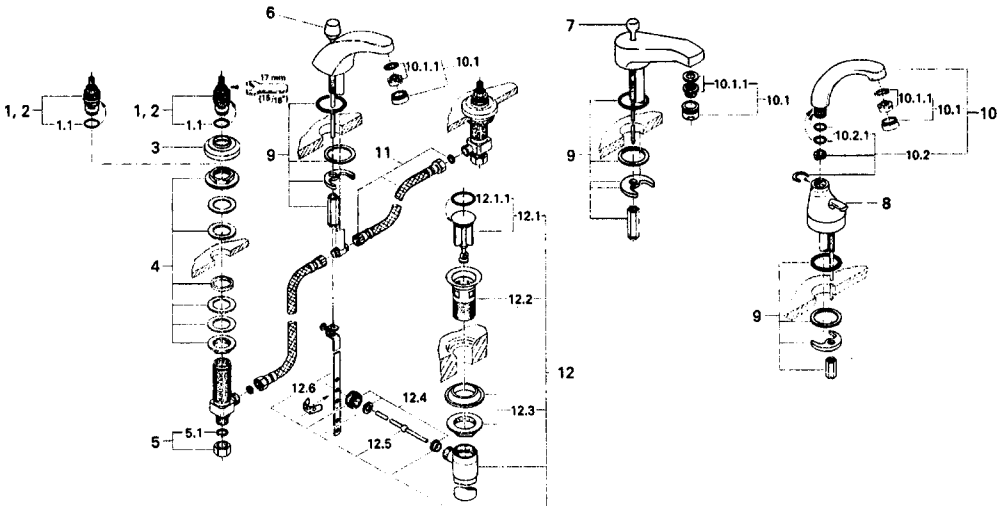
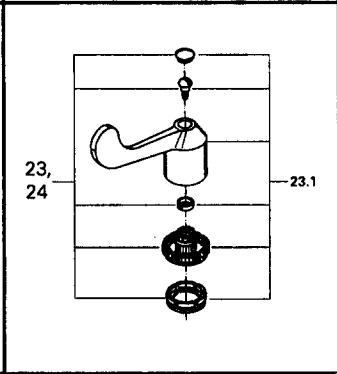
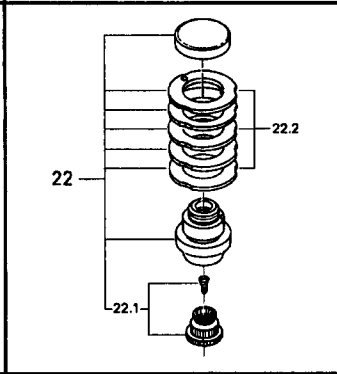
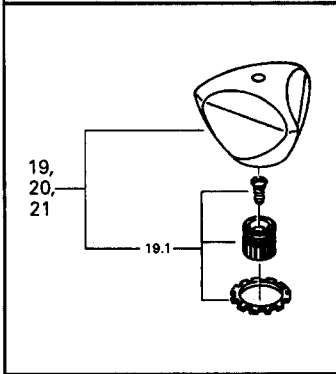
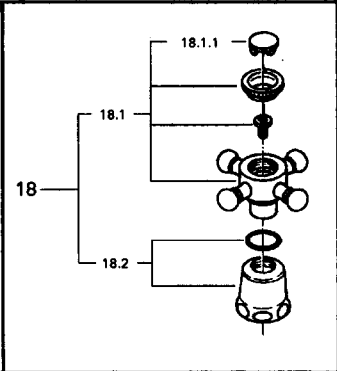
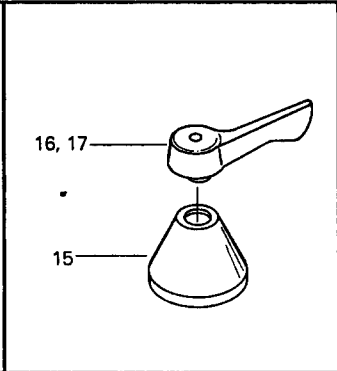
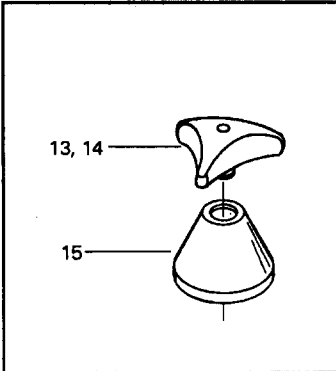
Pulgadas y (mm)

**20 830****20 831** (without pop-up drain)**20 780** (with tricorn handle)**20 781** (with lever handle)**20 782** (20 831 with tricorn handle)**20 783** (20 831 with lever handle)**20 881****20 788** (with TDL handle)**20 789** (20 788 without pop-up drain)**20 856** (with TDL handle, neutral)**20 890** (with arabesk handle)**20 882****20 851** (with TDL handle)**20 891** (with arabesk handle)**20 883****20 784** (with TDL handle)**20 889** (with arabesk handle)

# Replacement parts

# Pièces de rechange

# Repuestos



## Specification

### Application

Operation is possible in conjunction with:

- Pressurized storage heaters
- Thermally controlled instantaneous heaters (set flow temperature to 120 °F)
- Hydraulically controlled instantaneous heaters

Operation with low-pressure storage heaters (displacement water heaters) is not possible.

### Specifications

- Max. flow 9.5 L/min or 2.5 gpm/80 psi  
8.3 L/min or 2.2 gpm/60 psi
- Flow pressure
  - min. 7.25 psi
  - recommended 14.5 - 72.5 psi
  - greater than 72.5 psi, fit pressure reducing valve
- Max. operating pressure 145 psi
- Test pressure 232 psi
- Temperature
  - max. (hot water inlet) 176 °F
- Water connection hot - LH  
cold - RH

### Note

Major pressure differences between cold and hot water supply should be avoided.

### Installation

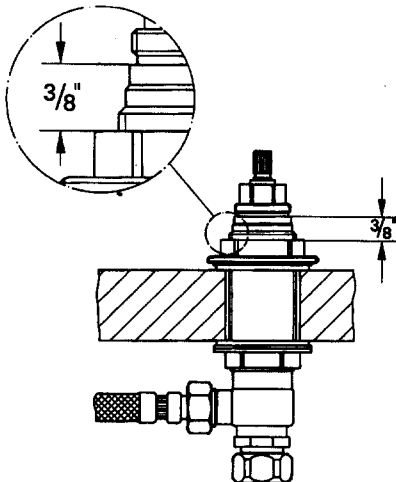
See dimensional drawings fold-out page I.

#### Before mounting faucet:

Pre assemble components.

#### Side valves

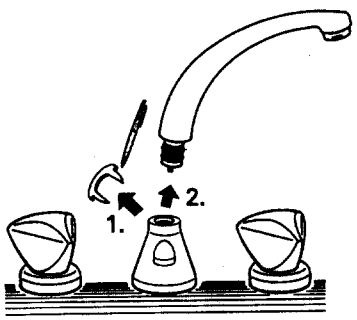
The distance from the top edge of the fixing nut to the top of the first shoulder on the cartridge must be  $\frac{3}{8}$ ", see fig. [1]



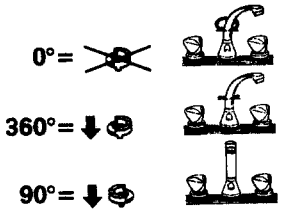
[1]

Left close valve should be mounted on the right (cold) side. Right close valve should be mounted on the left (hot) side.

Valves are marked with a "L" (left close) or "R" (right close) on the top edge of the cartridge.



[2]



**Spout**

For installation you require only a 13 mm socket wrench or screwdriver.

Swivel spout may be set to swing 360°, 90° or set rigid, see fig. [2] to [5].

Fit pop-up drain, see fold-out page II item 12, ensure that flange of pop-up drain is sealed.

**Flush pipes thoroughly.**

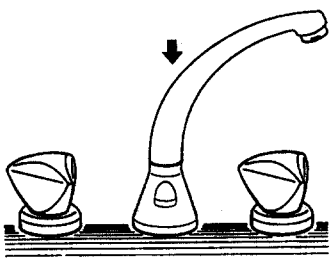


[3]

**Connect wiseset**

For this purpose the supply tubes must be connected to the angle stops (or other supply points).

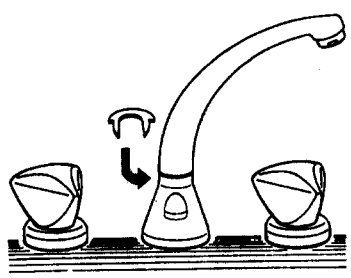
The hot water supply should be connected on the left, the cold water supply on the right side



[4]

**Open angle stops and check function of faucet.**

**Check connections for leakage.**



[5]

## Maintenance and Care

### Maintenance

For **Maintenance**, see fig. [6] and fold-out page II.

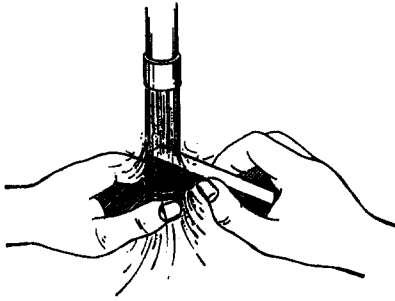
**Shut off cold and hot water supply.**

#### I. Ceramic cartridge

Unscrew the ceramic cartridge (1, 2) using a 17 mm ( $1\frac{1}{16}$ " ) wrench.

#### II. Flow regulator

Unscrew and clean the flow regulator (10.1), see fig. [6].



[6]

Check, clean and if necessary replace parts.

Grease with special valve grease (Cat.No. 18 012).

Assemble in reverse order.

Only original **Grohe** replacement parts may be used.

### Care

Instructions for care of this wideset will be found in the Limited Warranty supplement.

## Replacement parts

No.	Description	Cat. No.	Pack- ing unit	No.	Description	Cat. No.	Pack- ing unit
1	Ceramic cart. 90°, right	45 625	1	13	Tricorn handle, blue	06 113	1
1.1	Body seal O-ring	03 924	10	14	Tricorn handle, red	06 114	1
2	Ceramic cart. 90°, left	45 626	1	15	Cap	02 988	1
3	Escutcheon	03 394	1	16	Lever handle, blue	06 923	1
4	Mounting set side valve	45 025	1	17	Lever handle, red	06 924	1
5	Connection nut set	12 902	2	18	Arabesk handle cpl.	45 277	1
5.1	Washer	01 389	10	18.1	Arabesk handle	45 678	1
6	Lift rod	07 297	1	18.1.1	Marking plate	45 679	1
7	Lift rod	08 925	1	18.2	Cap cartridge Arabesk	45 680	1
8	Lift rod	06 078	1	19	TDL handle, blue	06 491	1
9	Mounting set spout	45 226	1	19.1	Handle connection set	45 001	1
10	Swivel spout	13 400	1	20	TDL handle, red	06 492	1
10.1	Flow regulator M 24 x 1	13 955	1	21	TDL handle, neutral	06 490	1
10.1.1	Flow regulator set	45 220	1	22	Ultra 100 handle	18 906	2
10.2	Spout fitting set	45 013	1	22.1	Handle connection set	45 186	1
10.2.1	Spout O-ring seal	01 285	20	22.2	Ultra 100 handle rings	45 205	6
11	Connection hose	45 455	1	23	Lever 4", blue/red	45 471	1
12	Pop-up drain	28 958	1	23.1	Lever connection set	45 620	1
12.1	Stopper	45 324	1	24	Lever 6", blue/red	45 472	1
12.1.1	Stopper O-ring	01 147	5				
12.2	Flange	01 153	1				
12.3	Shank nut and bushing	45 266	1				
12.4	Nut and bushings	45 265	1				
12.5	Ball rod	45 264	1				
12.6	Strap with screw	45 263	1				

Subject to technical modification without notice.

