

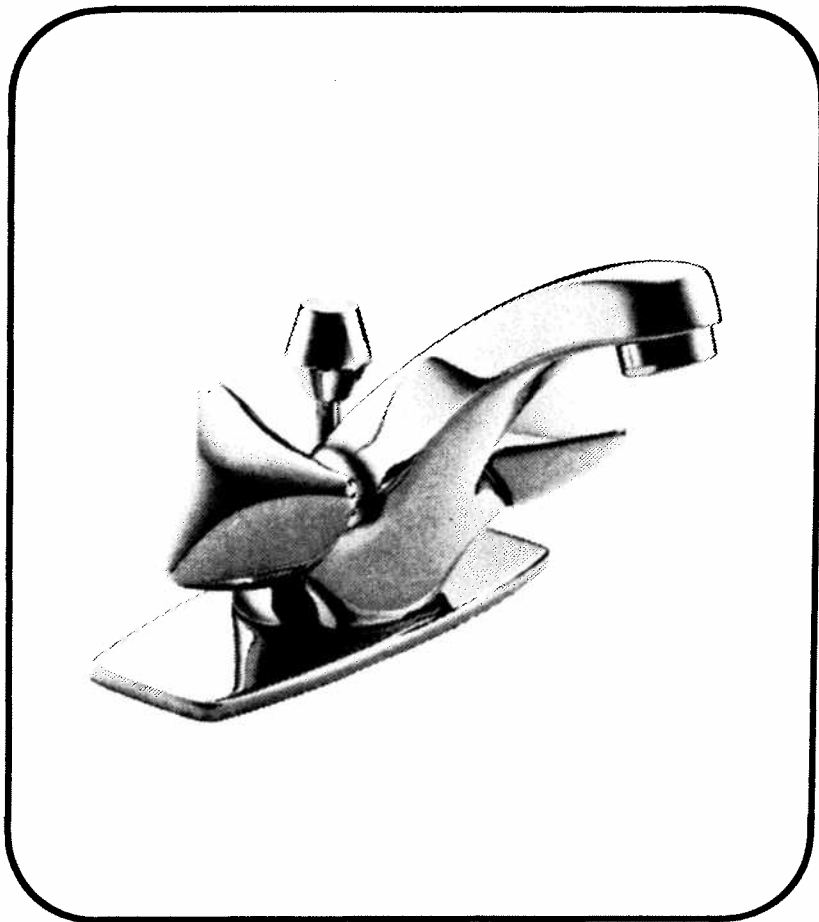
GROHE AMERICA



Centerset

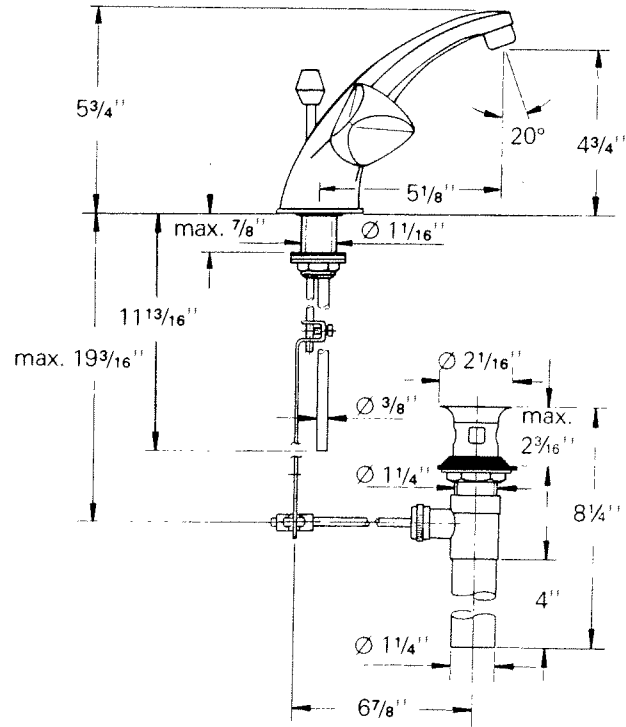
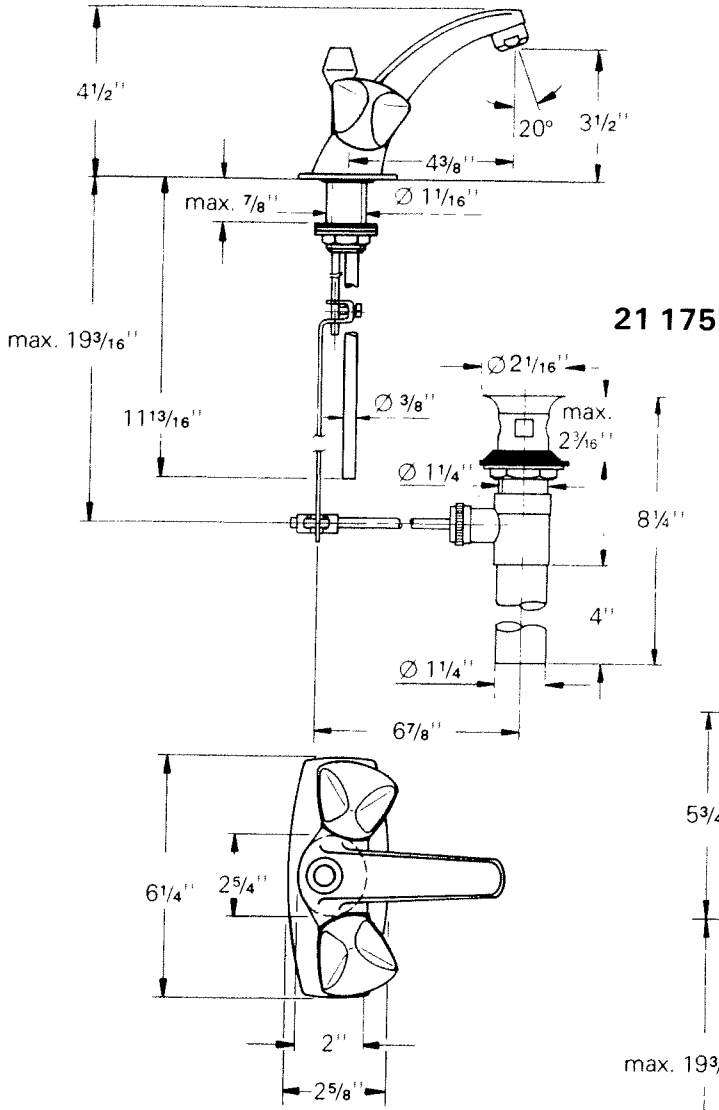
21 175 and variants

21 190 and variants

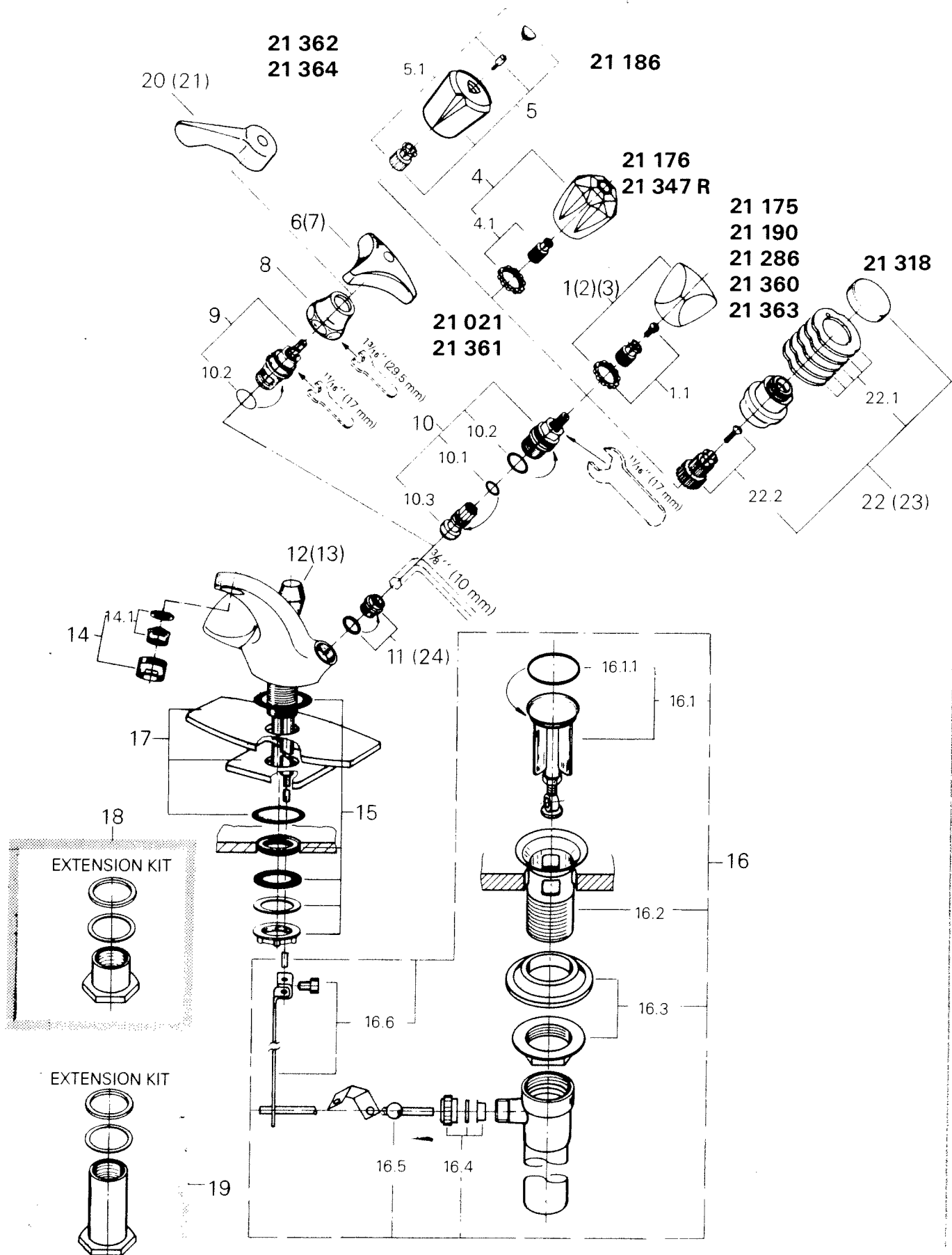


Technical Product Information

Installation dimensions



Replacement parts



Specification

Application

- Pressurized storage heaters.
- Thermally controlled instantaneous heaters (set flow temperature to 120 °F.)
- Hydraulically controlled instantaneous heaters (operation is however subject to certain restrictions in comfort occasioned by the function of the heater).

Operation with low pressure storage heaters (displacement water heaters) is **not** possible.

Specification

● max. flow	2.2 GPM
● Flow pressure	
– min	7 p.s.i.
– recommended	15-75 p.s.i.
– greater than 75 p.s.i., fit pressure reducing valve	
● Working pressure – max.	150 p.s.i.
● Test pressure	230 p.s.i.
● Temperature	
– max. (hot water inlet)	180 °F.
– recommended (economy setting)	140 °F.
● water connection	hot – LH cold – RH

Note

Major pressure differences between cold and hot water supply should be avoided.

Installation

Flush pipe lines thoroughly

Mount sink mixer Centerset on Lavatory.

See dimensional drawings fold out page I.
When installing the faucet in worktops thicker than 1" it's necessary to use suitable shank extensions, see replacement parts page 2 items 18 and 19.

Connect Centerset

For this purpose the copper pipes must be fitted on to the angle stops (or other supply points).

The hot water supply should be connected on the LHS and the cold water supply on the RHS.

Open Angle stops and check function of faucet.

Check connections for leakage

Only original **Friedrich Grohe** replacement parts may be used.

Replacement parts

Specification Page Nos.					Technical Product Information			
DRG REF	3-7 DRG REF	3-8 DRG REF	CII-6 DRG REF	CII-7 DRG REF	DRG REF	Description	Cat. No.	Packing unit
	2	1			1	TDL Handle Neutral	06 486	1
	2.1	1.1	5.1	5.1	1.1	Handle Connection Set	45 001	1
			4	4	2	TDL Handle, Blue	06 487	1
			5	5	3	TDL Handle, Red	06 488	1
	1	2			4	Diamond Handle	06 705	1
	1.1	2.1			4.1	Handle Connection Set	45 003	1
		3			5	Metal Handle	45 122	1
		3.1			5.1	Handle Connection Set	45 121	1
			1	1	6	Tricorn Handle, Blue	06 113	1
			2	2	7	Tricorn Handle, Red	06 114	1
			3	3	8	Cap	01 702	1
			8	8	9	Ceramic Cartridge	45 140	1
	3	6	17	15	10	Cartridge	07 146	1
	3.1	6.1	17.1	15.1	10.1	Cartridge Spindle O-Ring	01 283	20
	3.2	6.2	8.1	8.1	10.2	Body Seal O-Ring	03 924	10
	3.3	6.3	17.2	15.2	10.3	½" Seat Washer	05 291	50
		7	9	9	11	Renewable Seat Set	45 023	1
	6	8			12	Lift Rod	06 073	1
			10		13	Lift Rod for 21 021	06 078	1
	5	9	11	10	14	Flow Regulator	13 955	1
	5.1	9.1	11.1	10.1	14.1	Flow Regulator Set	45 220	1
	7	10	13	12	15	Mounting Set	45 012	1
	9	11	15		16	Pop Up Waste	28 958	1
	9.1	11.1	15.2		16.1	Pop Up Stopper	45 324	1
	9.2	11.2	15.1		16.1.1	Stopper O-Ring	01 147	10
	9.3		15.3		16.2	Flange	01 153	1
					16.3	Shank Nut and Bushing	45 266	1
					16.4	Nut and Bushings	45 265	1
					16.5	Ball Rod	45 264	1
					16.6	Strap with Screw	45 263	1
	8	12	12	11	17	6" Escutcheon	07 542	1
	10	13			18	1½" Extension Kit (Opt.)	12 927	1
	11	14			19	2" Extension Kit (Opt.)	12 925	1
			6	6	20	Lever Handle, Blue	06 923	1
			7	7	21	Lever Handle, Red	06 924	1

Replacement parts

Specification Page Nos.

Technical Product Information

DRG REF	3-7 DRG REF	3-8 DRG REF	CII-6 DRG REF	CII-7 DRG REF	DRG REF	Description	Cat. No.	Packing unit
					22	Ultra Handle's (Pair)	18 905	1
					22.1	Discs (Pack of six)	45 205	1
					22.2	Handle Connection Set	45 186	1
					23	Ultra Handle's (Pair)	18 906	2
	4				24	Renewable Seat Set for 21 190	45 098	1

Subject to technical modifications without notice.

GROHE America Inc.
 900 North Lively Boulevard
 Wood Dale,
 IL 60191