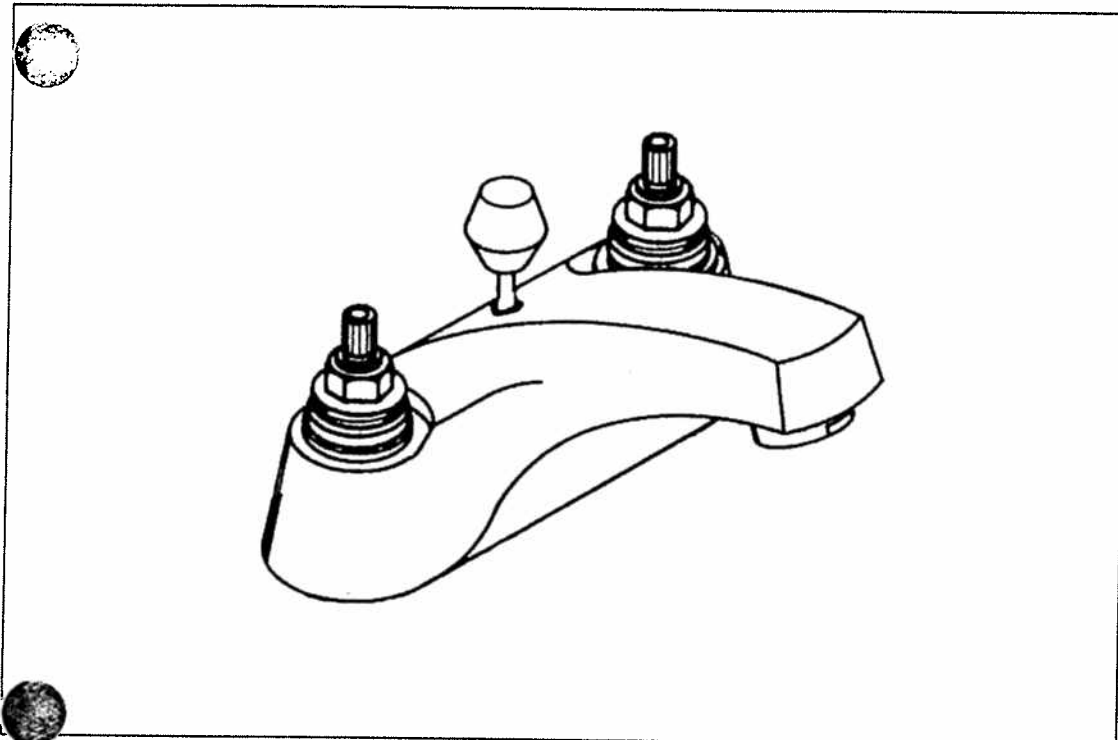


1877



# 4" Centerset



21 803/21 804 and variants

Printed on chlorine-free bleached paper.  
Imprimé sur papier blanchi sans chlore.  
Impreso en papel blanqueado sin cloro.



95.171.131/ÄM 21 172/05.95

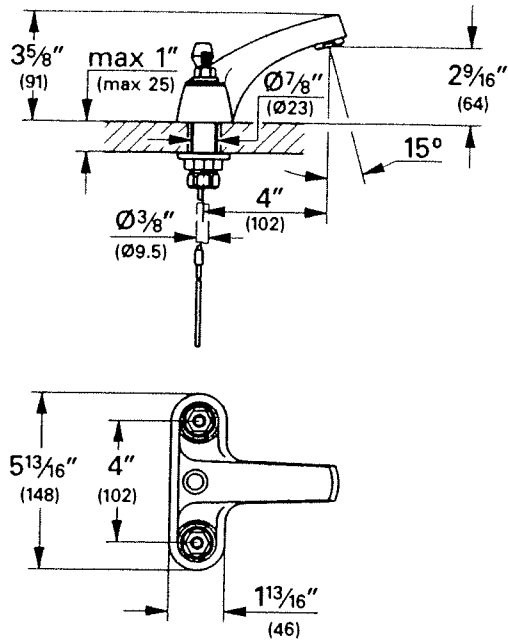
**Installation dimensions**  
Inch and (mm)

**Dimensions d'installation**  
Pouce et (mm)

**Dimensiones de montaje**  
Pulgadas y (mm)

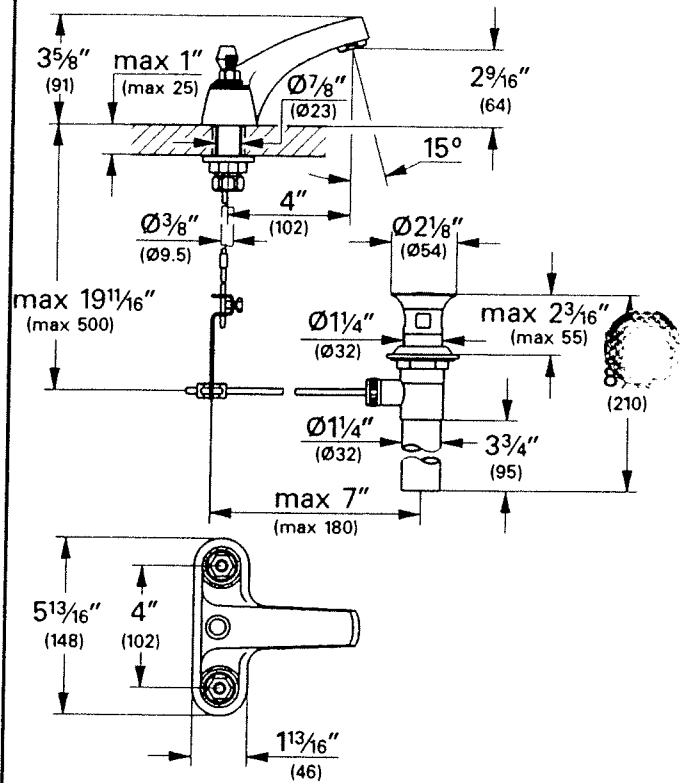
**21 803**

Variants with handles not shown



**21 804**

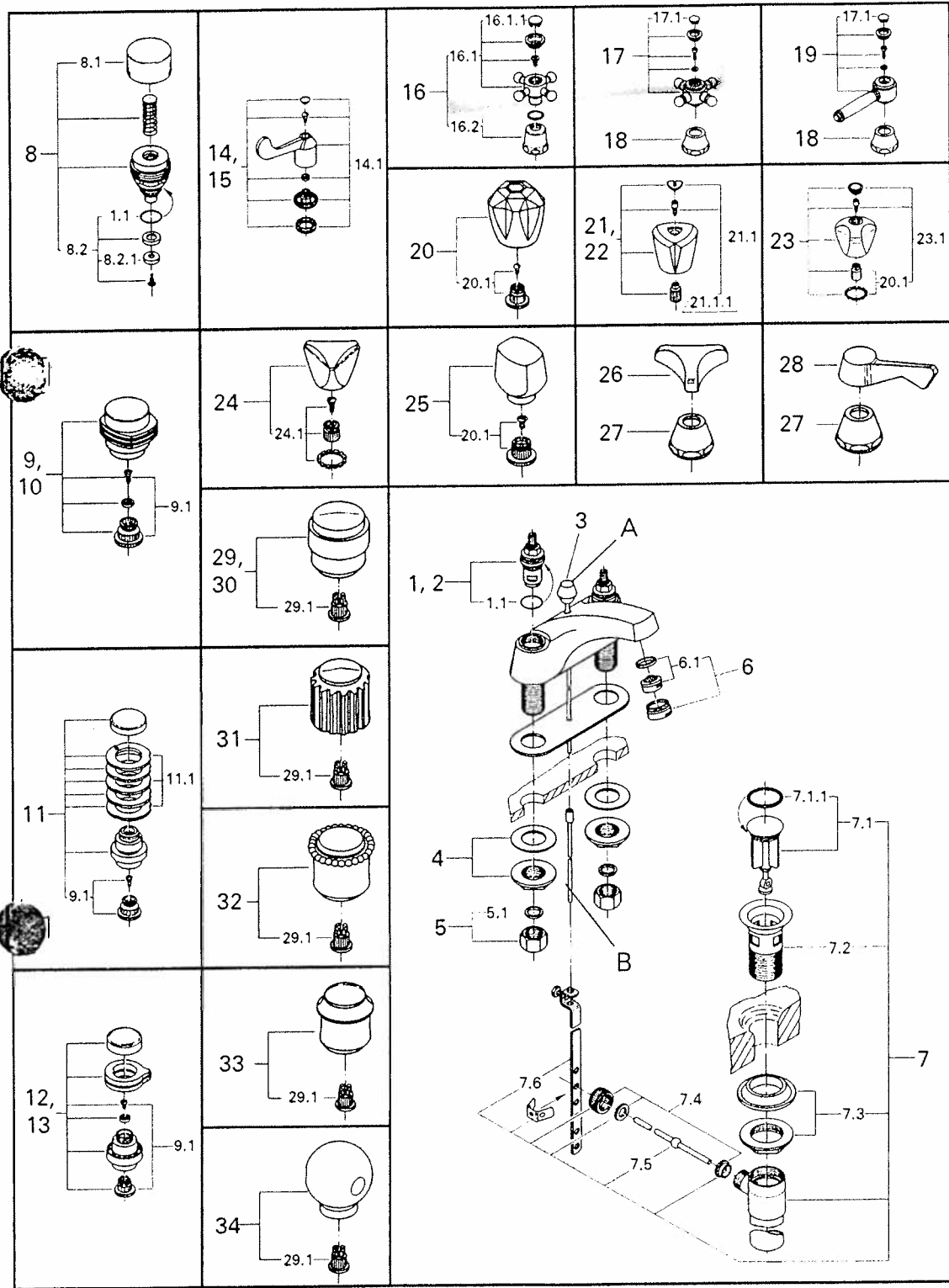
Variants with handles not shown



Replacement parts

Pièces de rechange

Repuestos



### Specification

#### Application

Operation is possible in conjunction with:

- Pressurized storage heaters
- Thermally controlled instantaneous heaters
- Hydraulically controlled instantaneous heaters

Operation with low pressure storage heaters (displacement water heaters) is **not** possible.

#### Specification

- Max. flow 9.5 L/min or 2.5 gpm/80 psi  
8.3 L/min or 2.2 gpm/60 psi
- Flow pressure
  - min 7.2
  - recommended 14.5 - 72.5 psi
  - greater than 72.5 p.s.i., fit pressure reducing valve
- Max. operating pressure 145 psi
- Test pressure 232 psi
- Temperature
  - max. (hot water inlet, centerset with ceramic cartridge) 176 °F
  - max. (hot water inlet, centerset with self closing cartridge) 120 °F
- Water connection hot - LH  
cold - RH
- Nominal operation time 0 - 20 sec.  
(cold water, self closing cartridge)
- The factory-set operating time is 20 ± 5 sec.

#### Note

Major pressure differences between hot and cold water supply should be avoided.

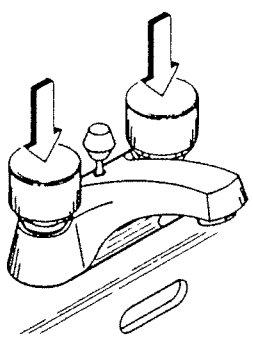
#### Installation

##### Flush pipes thoroughly

##### Mount centerset on lavatory

See dimensional drawings fold-out page I. Before mounting centerset on lavatory assemble lift rod (3), plug the upper part (A) through the body and screw on the lower part (B), see replacement parts drawing fold-out page II.

**Fit pop up drain**, see fold-out page II item 7, ensure that flange of pop up drain is sealed.



[1]

**Connect centerset**

For this purpose the supply pipes must be installed on to the angle stops (or other supply points).

The hot water supply should be connected on the left, the cold water supply on the right side.

**Open angle stops and check function of faucet.**

**Check connections for leakage.**

**Operation (ceramic cartridge)**

The ceramic cartridge on the left side (hot water) is right closing and the ceramic cartridge on the right side (cold water) is left closing.

**Operation (self closing cartridge)**

**Operation:** see fig. [1]

The water flow is released for the pre-set operating time by "PRESSING".

After this time the self closing cartridge stops the water flow automatically and without recoil.

**Changing the operating time: see figs. [2] and [3]**

The factory-set operating time is 20±5 sec. (cold water); if this time is to be changed, then proceed as follows:

1. Using a two pin spanner (∅ 2mm). Hold the threaded ring (D) still and unscrew the cap (C). Remove the cartridge and operating pin with spring.
2. The operating time is reduced by turning the inner screw (E) counter clockwise, see fig. [3].

**Caution:**

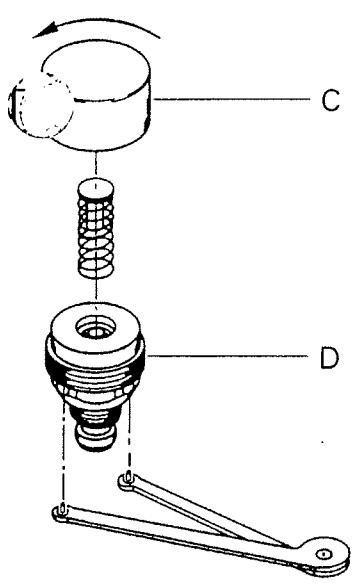
Do not press the inner screw (E) down when the centerset is under water pressure (water will be emitted).

3. Refit cap (C) and pin with spring and tighten onto the threaded ring (D).

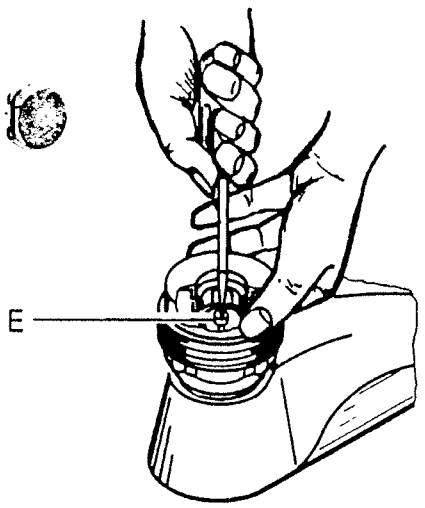
**Note:**

If the inner screw (E) is turned to the left until it reaches its end position the valve will not function (Remains closed).

- This self closing cartridge fits all **Grohe** faucets with a G½ thread in body, except concealed stop valves.



[2]



[3]

## Maintenance and Care

### Maintenance

For maintenance, see fig. [4] and fold-out page II

Shut off hot and cold water supply.

#### I. Ceramic cartridge (1, 2)

Unscrew the ceramic cartridge using a 11/16" (17 mm) fixed spanner.

#### II. Self closing cartridge (8)

Remove bleedscrew and seal (8.2) and clean them removing any lime scale.

#### III. Flow regulator (6)

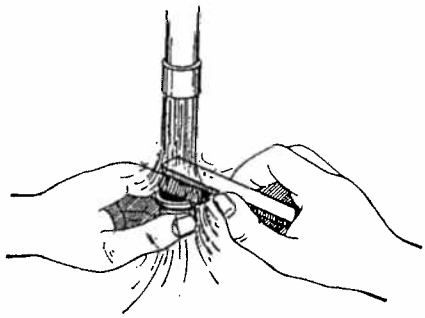
Unscrew and clean flow regulator, see fig. [4].

Check, clean and if necessary, replace parts.

Grease with special valve grease (Cat. No. 18 012).

Assemble in reverse order.

Only original **Grohe** replacement parts may be used.



[4]

### Care

Instructions for care of this centerset will be found in the Limited Warranty supplement.

Replacement parts

787

No.	Description	Cat. No.	Pack- ing unit	No.	Description	Cat. No.	Pack- ing unit
1	Ceramic cart. 90°, right	45 625	1	16	Arabesk handle cpl.	45 277	1
1.1	Body seal O-ring	03 924	10	16.1	Arabesk handle	45 678	1
2	Ceramic cart. 90°, left	45 626	1	16.1.1	Marking plate Arabesk	45 679	1
3	Lift rod cpl.	45 367	1	16.2	Cap cartridge Arabesk	45 680	1
4	Mounting set	45 366	1	17	Cross handle Sinfonia	45 600	1
5	Connection nut set	12 902	2	17.1	Marking plate Sinfonia	45 801	1
6	Washer	01 389	10	18	Cap cartridge Sinfonia	45 736	1
6	Flow regulator	13 955	1	19	Lever handle Sinfonia	45 619	1
6.1	Flow regulator set	45 220	1	20	Diamond handle, no code	06 705	1
7	Pop-up drain	28 958	1	20.1	Handle connection set	45 003	1
7.1	Stopper cpl.	45 324	1	21	Acrylic handle, blue	07 786	1
7.1.1	Stopper O-ring	01 147	5	21.1	Handle connection set	45 121	1
7.2	Flange	01 153	1	21.1.1	Snap insert	05 386	10
7.3	Shank nut and bushing	45 266	1	22	Acrylic handle, red	07 787	1
7.4	Nut and bushings	45 265	1	23	Metal teflor handle	45 124	1
7.5	Ball rod	45 264	1	23.1	Handle connection set	45 123	1
7.6	Strap with screw	45 263	1	24	TDL handle, no code	06 486	1
8	Self closing cartridge	11 012	1	24.1	Handle connection set	45 001	1
8.1	Cap	03 039	1	25	Exquisit handle	45 267	1
8.2	Sealing set	45 218	1	26	Tricorn handle, no code	01 647	1
8.2.1	Seat washer	05 291	50	27	Cap cartridge	01 702	1
9	Ultra 200 handle	45 206	1	28	Lever handle, no code	00 075	1
9	Handle connection set	45 186	1	29	Kira Divina handle	45 602	1
10	Ultra 300 handle	45 207	1	29.1	Handle connection set	45 724	1
11	Ultra 100 handle	18 906	2	30	Leana handle	45 604	1
11.1	Ultra 100 handle rings	45 205	6	31	Facetta handle	45 636	1
12	Supra handle, blue	45 354	1	32	Rigana handle	45 606	1
13	Supra handle, red	45 355	1	33	Bella handle	45 640	1
14	Lever 4", blue/red	45 471	1	34	Aquata handle	45 638	1
14.1	Lever connection set	45 620	1				
15	Lever 6", blue/red	45 472	1				

Subject to technical modification without notice.