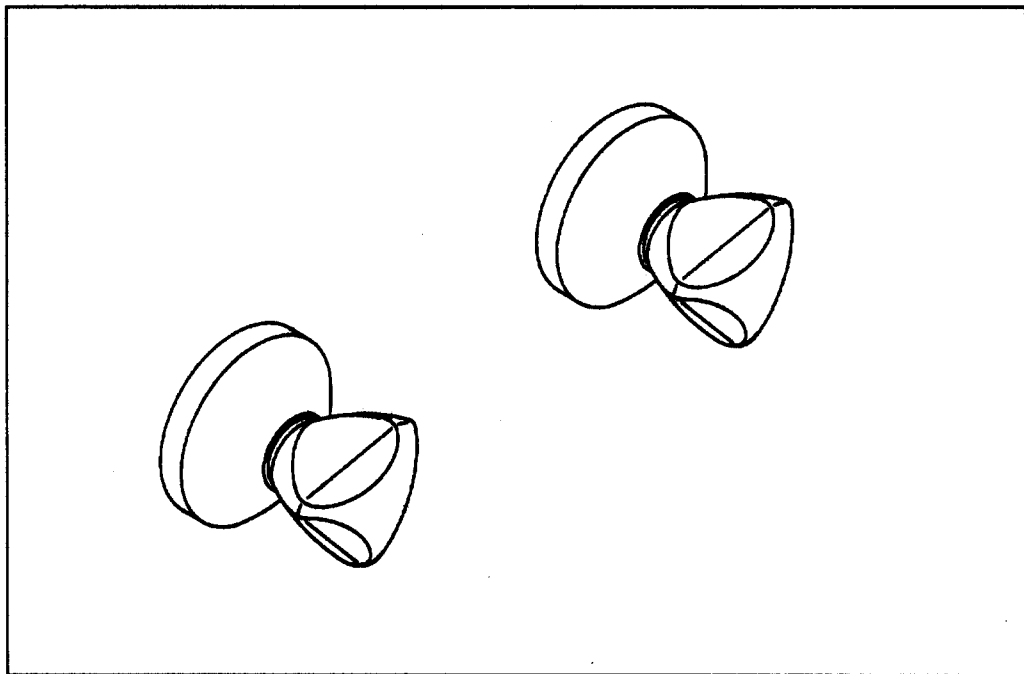


GROHE

Two Handle Shower/Tub Combination



25 500 and variants

Printed on chlorine-free bleached paper.
Imprimé sur papier blanchi sans chlore.
Impreso en papel blanqueado sin cloro.

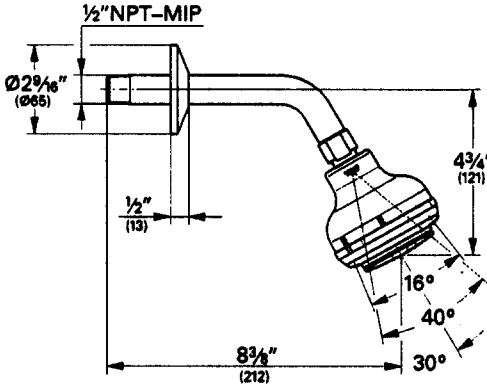


Installation dimensions
Inch and (mm)

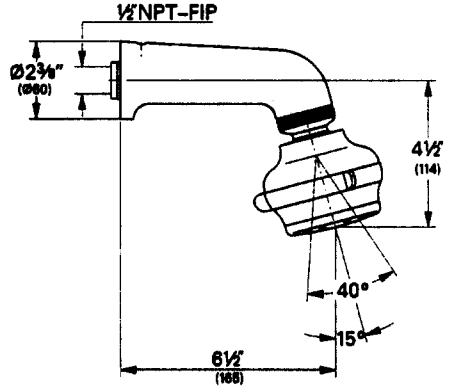
Dimensions d'installation
Pouces et (mm)

Dimensiones de montaje
Pulgadas y (mm)

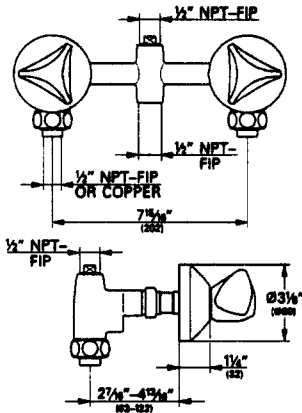
27 412 + 28 272



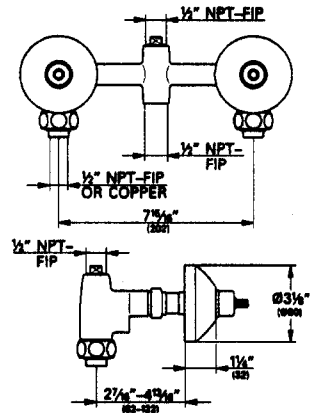
28 465 + 28 451



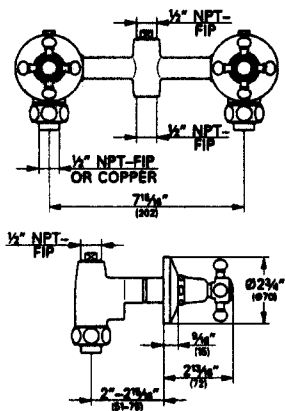
25 500



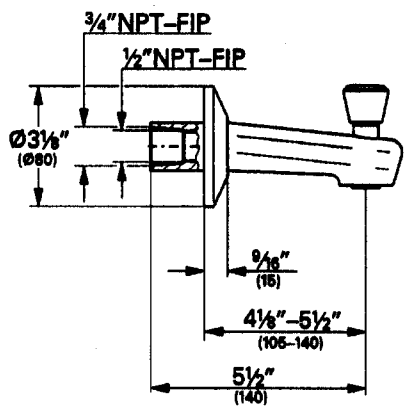
25 507



25 546



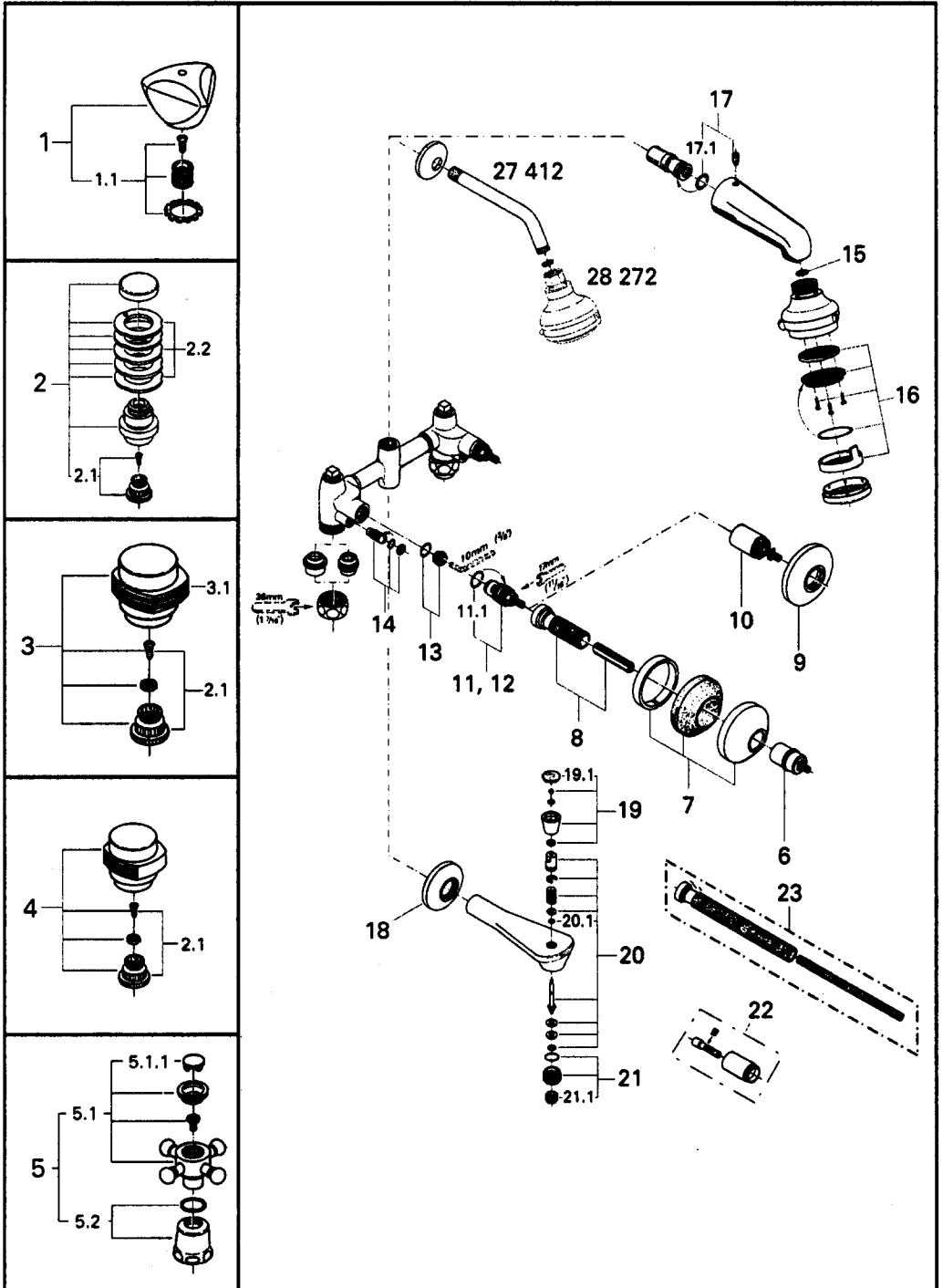
13 600



Replacement parts

Pièces de rechange

Repuestos



Specification

Application

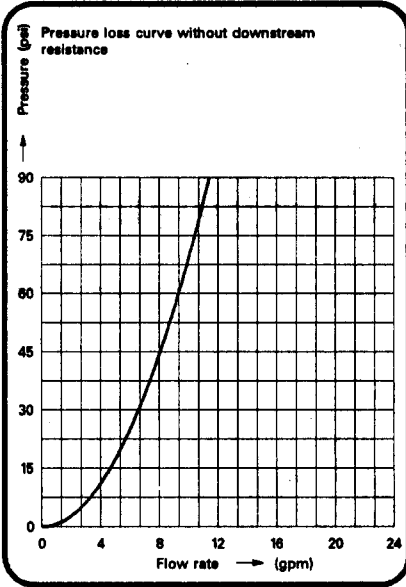
Operation is possible in conjunction with:

- Pressurized storage heaters
- Thermally controlled instantaneous heaters
- Hydraulically controlled instantaneous heaters

Operation with low-pressure storage heaters (displacement water heaters) is **not possible**.

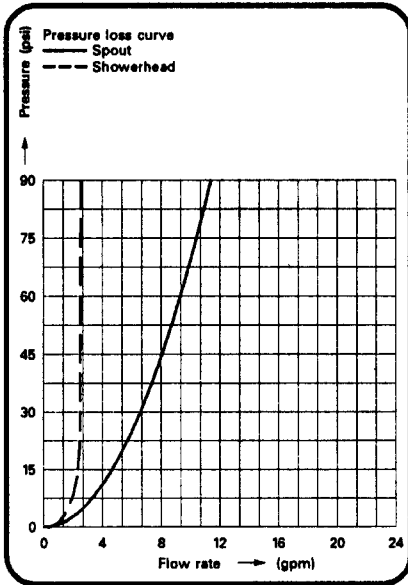
Specifications

- Flow pressure
 - min. 7.25 psi
 - recommended 14.5 - 72.5 psi
 - greater than 72.5 psi, fit pressure reducing valve
- Max. operating pressure 145 psi
- Test pressure 232 psi
- Flow delivery, see figs. [1] and [2].
- Temperature
 - max. (hot water inlet) 176 °F
- Water connection
 - hot - LH
 - cold - RH



25 500
25 507
25 546

[1]



25 510
25 624

[2]

Note

Major pressure differences between cold and hot water supply should be avoided.

Installation

Mount two handle concealed valve

See dimensional drawing fold out page I.

Flush pipes thoroughly.

Connect two handle concealed valve.

The hot water supply should be connected on the left, the cold water supply on the right side.

Open service stops and check function of faucet.

Operation

The ceramic cartridge on the left side (hot water) is right closing and the ceramic cartridge on the right side (cold water) is left closing.

Check connections for leakage.

Maintenance

For Maintenance, see fold-out page II.

Shut off cold and hot water service stops.

Ceramic cartridge

Unscrew the ceramic cartridge (10, 11) using a 17 mm ($11/16$ ") wrench.

Only original Grohe replacement parts may be used.

Replacement parts/ Care

No.	Description	Cat. No.	Pack- ing unit	No.	Description	Cat. No.	Pack- ing unit
1	TDL-handle, neutral	06 490	1	14	Service stop	45 340	1
1.1	Handle connection set	45 001	1	15	Washer	01 389	10
2	Ultra 100 handle	18 906	1	16	Shower rose kit	45 101	1
2.1	Handle connection set	45 186	1	17	Connection shower arm	45 137	1
2.2	Ultra 100 handle rings	45 205	1	17.1	O-ring	01 284	5
3	Ultra 200 handle	45 206	1	18	Escutcheon spout	06 388	1
3.1	Ultra 200 handle rings	45 278	6	19	Diverter knob	46 007	1
4	Ultra 300 handle	45 207	1	19.1	Diverter cap	03 288	1
5	Arabesk handle cpl.	45 277	1	20	Diverter set	45 166	1
5.1	Arabesk handle	45 678	1	20.1	Diverter spindle O-ring	01 283	20
5.1.1	Marking plate	45 679	1	21	Flow regulator	45 167	1
5.2	Cap cartridge Arabesk	45 680	1	21.1	Flow regulator insert	02 350	10
6	Extension sleeve	45 204	1				
7	Escutcheon	45 219	1				
8	Extension spindle, cpl	45 202	1				
9	Escutcheon	06 386	1				
10	Extension sleeve	45 496	1		Optional accessories		
11	Ceramic cart. 90°, right	45 625	1	22	Extension kit for 25 546	06 427	1
11.1	Body seal O-ring	03 924	10		and variants		
12	Ceramic cart. 90°, left	45 626	1	23	Extension kit for 25 500	45 203	1
13	Renewable seat set	45 023	1		and variants		

Subject to technical modification without notice.

Care

Instructions for care of this two handle concealed valve will be found in the Limited Warranty supplement.

Grohe America Inc.
241 Covington Drive
Bloomington, IL
60108
U.S.A.

Technical Services
Phone: 708/582-7711
Fax: 708/582-7722

Grohe Canada Inc.
862 Arvin Avenue, Unit 7
Stoney Creek, Ontario
Canada, L8E 5P2
Services Technique
Tél: 905/643-9848
Télécopieur: 905/643-9843