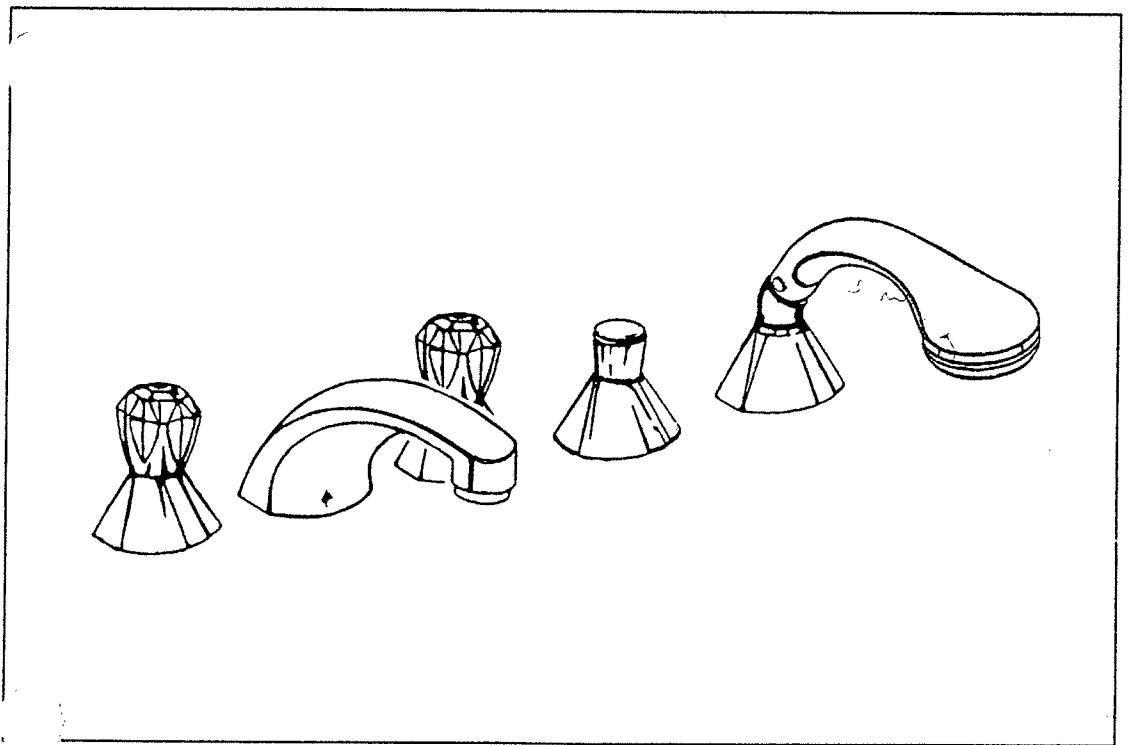




# Roman Tub Filler



13 457 and variants

13.473

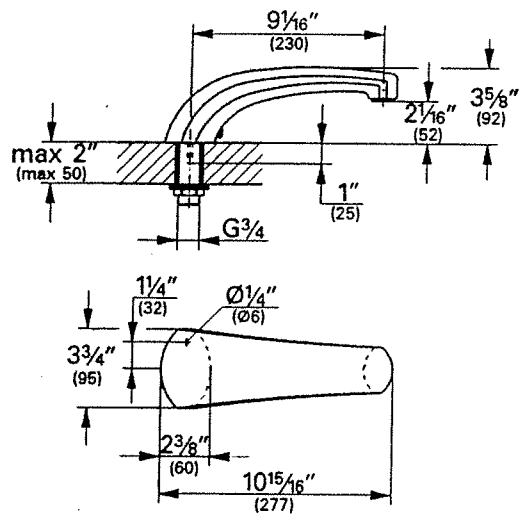


**Installation dimensions**  
Inch and (mm)

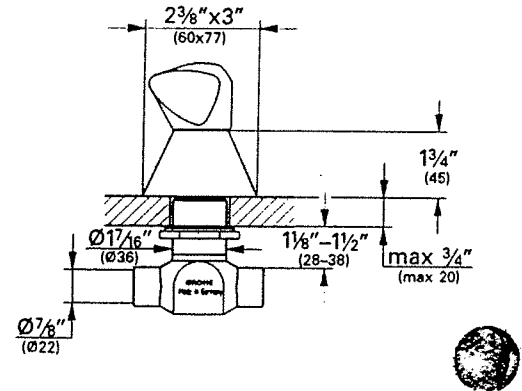
**Dimensions d'installation**  
Pouce et (mm)

**Dimensiones de montaje**  
Pulgadas y (mm)

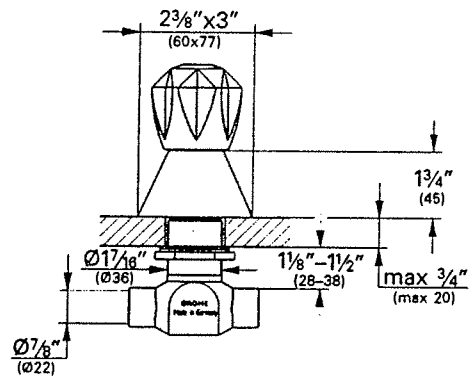
13 445  
(13 446)



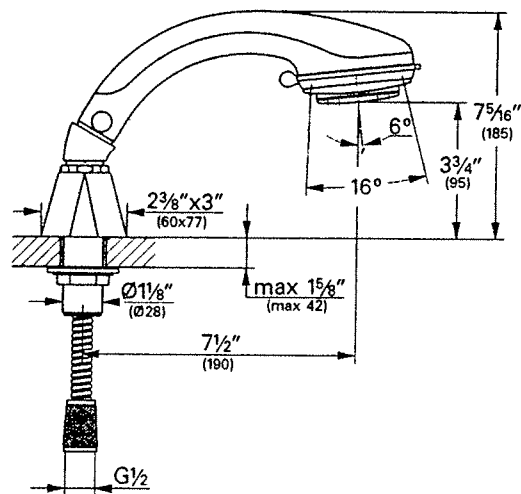
29 214



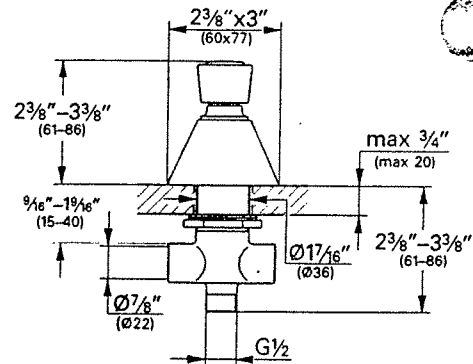
29 256



27 112



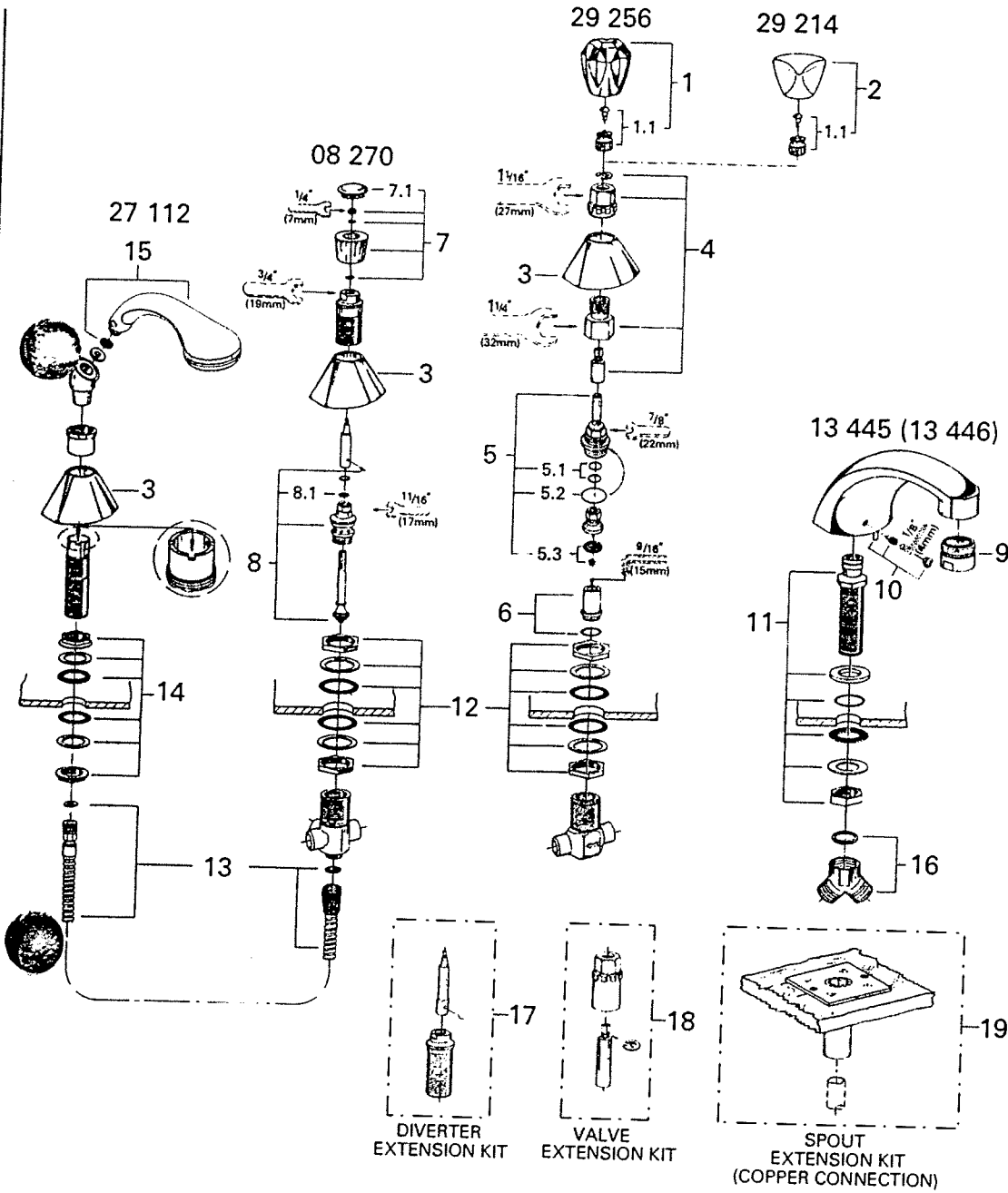
08 270



Replacement parts

Pièces de rechange

Repuestos



**Specification**

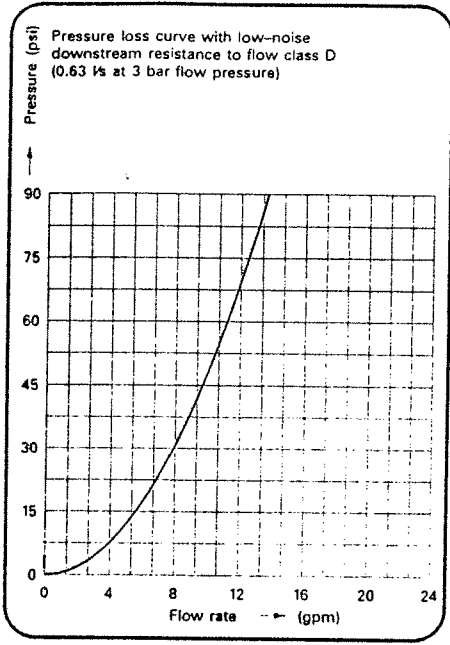
**Application**

- Pressurized storage heaters
- Thermally controlled instantaneous heaters
- Hydraulically controlled instantaneous heaters

Operation with low pressure storage heaters (displacement water heaters) is **not** possible.

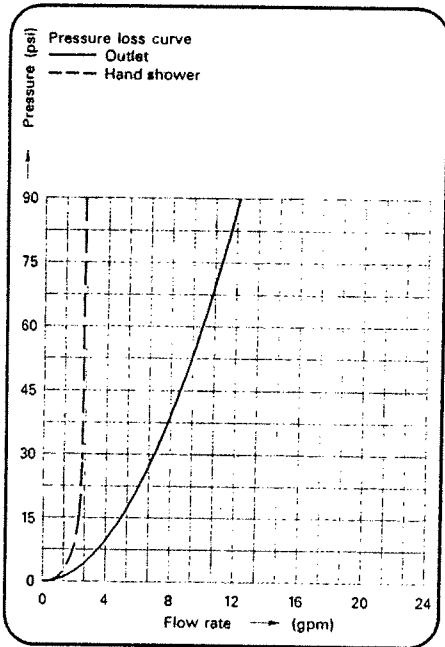
**Specification**

- Flow pressure
  - min 7.25 psi
  - recommended 14.5 - 72.5 psi
  - greater than 72.5 psi, fit pressure reducing valve
- Working pressure - max. 145 psi
- Test pressure 232 psi
- Flow delivery see figs. [1] and [2]
- Temperature
  - max. (hot water inlet) 176 °F
  - max. (handshower) 158 °F
- Water connection
  - hot - LH
  - cold - RH



13457

[1]



13473

[2]

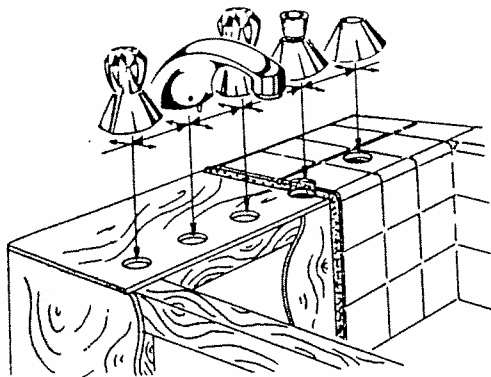
**Notes:**

- Installation of backflow protection must comply with local codes and regulations.
- An access panel must be provided for access to diverting unit and hose connections.
- Major pressure differences between cold and hot water supply should be avoided.

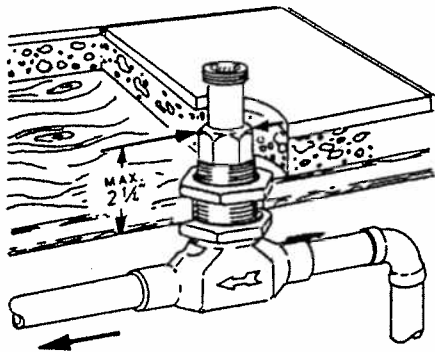
### Installation

Layout dimensions to establish centers and proper clearances, see fig. [3] and Installation dimensions on fold-out page I.

Use 3/4" supplies for proper flow.



[3]



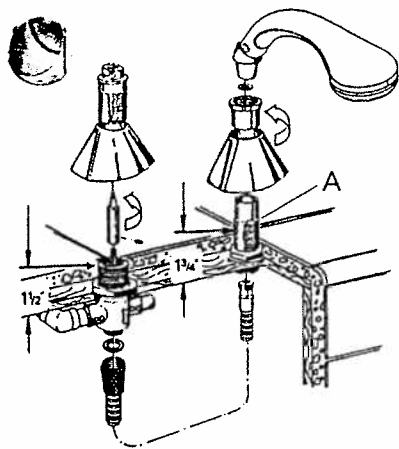
To Spout (3 hole sets)  
To Diverter (5 hole sets)

SUPPLY

[4]

Maximum thickness for valves is established by top of hold down sleeve, nut (see arrows), see fig. [4].

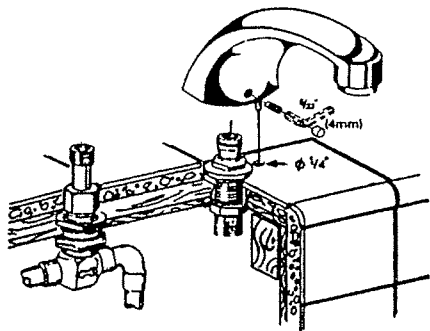
Extension kit 06 839 will extend valve 1 1/2".



[5]

Top three (A) threads of diverter body (see arrow) must be above tile for proper fit. Lower nut and gasket can be removed for extra length, see fig. [5].

Extension kit 45 008 will extend by 1".



[6]

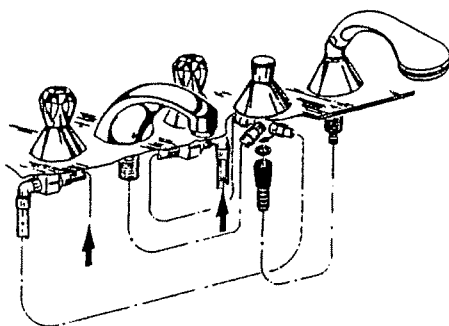
Before mortar and tile is applied, wrap exposed parts with tape to protect threads and opening. Estimate height of tile level and adjust spout shank for proper fit, make sure that tape holds up upper washer and O-ring so that tile can be fitted underneath, see fig. [6].

When mortar base is very thick, spout extension shaft 12 939 may be used.

**Connect tub filler**

For this purpose the side valves must be connected to the angle stops (or other supply points). Do not use additional seals.

The hot water supply should be connected on the left, the cold water supply on the right side.

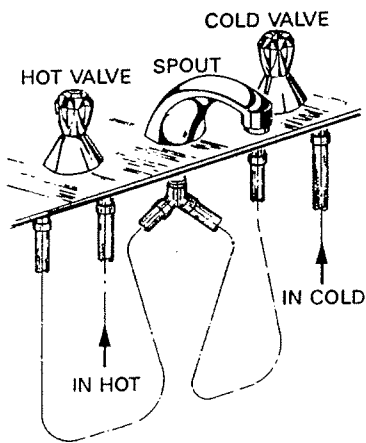


[7]

**Flush pipes thoroughly**

Open angle stops and check function of faucet.

Check connection for leakage.



[8]

**Maintenance**

Unscrew and clean aerator (9), see fold-out page II.

Replacement parts/Care

| No.          | Description               | Cat. No.          | Pack-<br>ing<br>unit | No. | Description               | Cat. No. | Pack-<br>ing<br>unit |
|--------------|---------------------------|-------------------|----------------------|-----|---------------------------|----------|----------------------|
| <del>1</del> | <del>Diamond handle</del> | <del>06 715</del> | <del>1</del>         | 10  | Spout fitting set         | 45 682   | 1                    |
| 1.1          | Handle connection set     | 45 055            | 1                    | 11  | Shank complete            | 45 163   | 1                    |
| 2            | TDL-handle                | 06 494            | 1                    | 12  | Mounting set              | 45 164   | 1                    |
| 3            | Flange                    | 03 519            | 1                    | 13  | Flexible hose             | 28 158   | 1                    |
| 4            | Spindle                   | 06 954            | 1                    | 14  | Mounting set shower       | 45 025   | 1                    |
| 5            | Cartridge                 | 07 151            | 1                    | 15  | Handshower                | 28 175   | 1                    |
| 5.1          | Spindle O-ring            | 01 200            | 10                   | 16  | Connection set            | 45 171   | 1                    |
| 5.2          | Body seal O-ring          | 01 416            | 10                   |     |                           |          |                      |
| 5.3          | Seat washer and nut       | 45 056            | 10                   |     |                           |          |                      |
| 6            | Renewable seat set        | 45 070            | 1                    |     |                           |          |                      |
| 7            | Diverter knob             | 07 576            | 1                    |     | Optional accessories      |          |                      |
| 7.1          | Cap                       | 03 288            | 1                    | 17  | Extension kit diverter 1" | 45 008   | 1                    |
| 8            | Diverter cartridge        | 45 100            | 1                    | 18  | Extension kit valve 1½"   | 06 839   | 1                    |
| 8.1          | Diverter O-ring           | 01 283            | 20                   | 19  | Extension kit spout 2"    | 12 939   | 1                    |
| 9            | Aerator M 28x1            | 13 939            | 1                    |     |                           |          |                      |

Subject to technical modification without notice.

Only original **Grohe** replacement parts may be used.



Care

Instructions for care of this tub filler will be found in the Limited Warranty supplement.