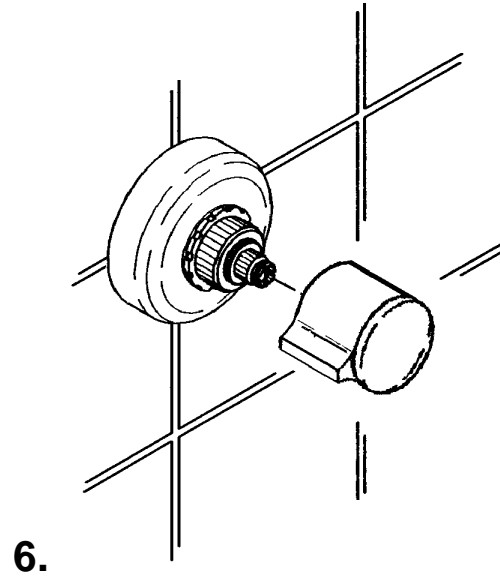
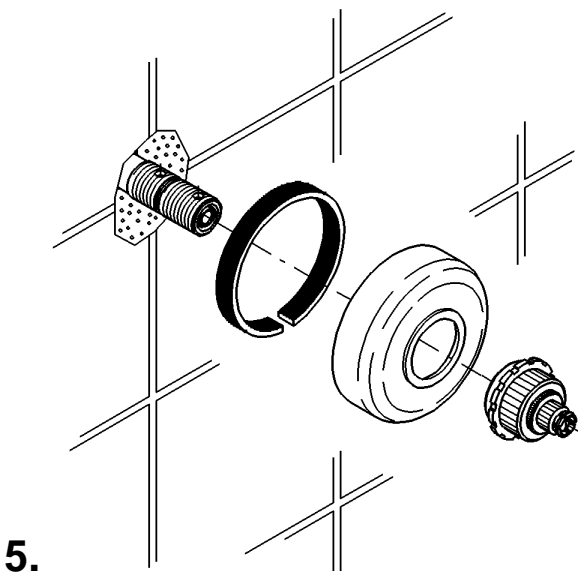
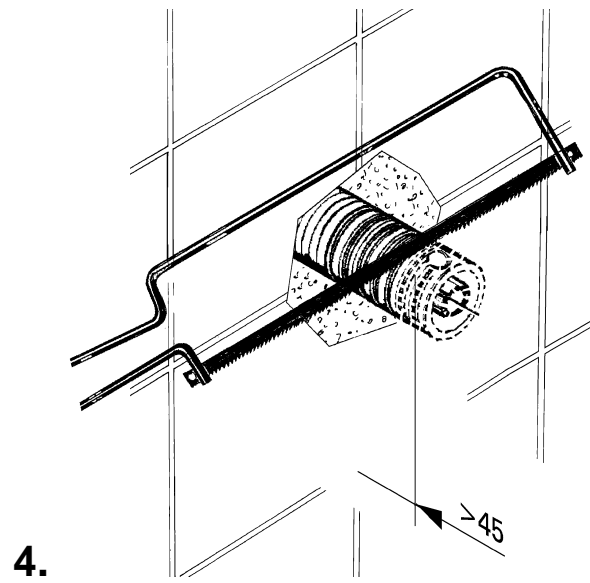
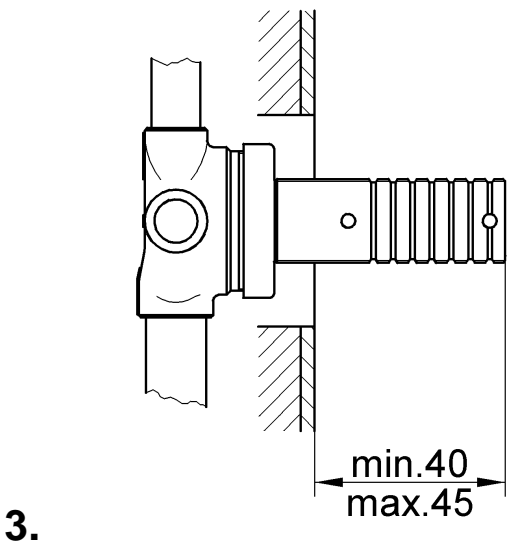
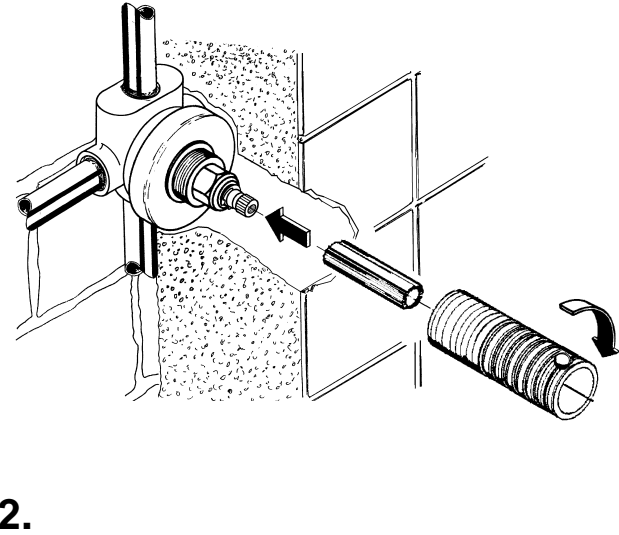
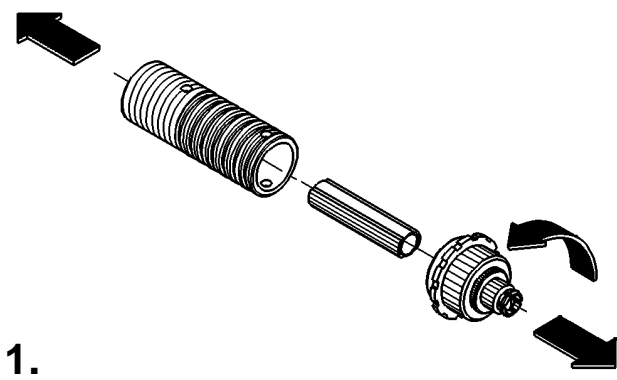




WATER TECHNOLOGY

19 903  
19 904  
19 905



95.443.031/ÄM 30 032/08.01