

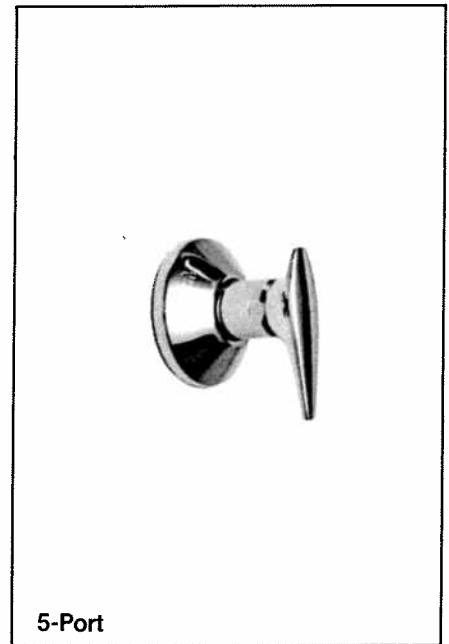
CLASSIC DIVERTER VALVES



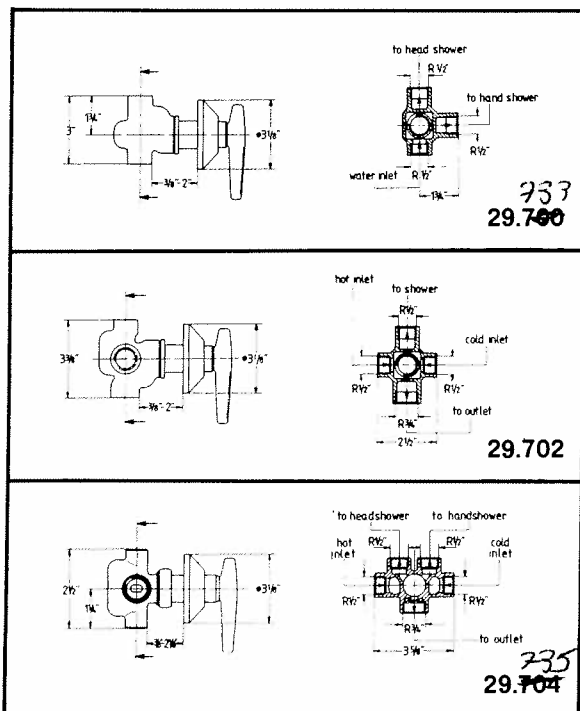
- 29.700 Polished Chrome
- 29.700-G Gold
- 29.700-B Antique Brass
- 29.700-S Pewter
- 29.700-Y Satin Brass



- 29.702 Polished Chrome
- 29.702-G Gold
- 29.702-B Antique Brass
- 29.702-S Pewter
- 29.702-Y Satin Brass



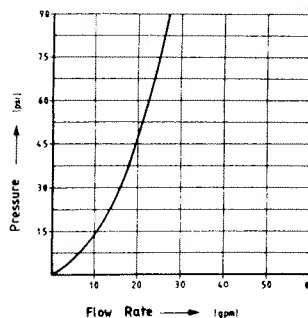
- 29.704 Polished Chrome
- 29.704-G Gold
- 29.704-B Antique Brass
- 29.704-S Pewter
- 29.704-Y Satin Brass



Castings shall be of all brass construction. All wear parts shall be replaceable. Plastics shall be used only where necessary to improve design. All joints and mating surfaces shall be constructed as to use the latest in o-ring and sealing techniques. All pressure joints shall be tested via both normal inlets, for leakage and correct assembly. Working water pressure—valves shall be designed for temperatures up to 180 °F (82 °C).

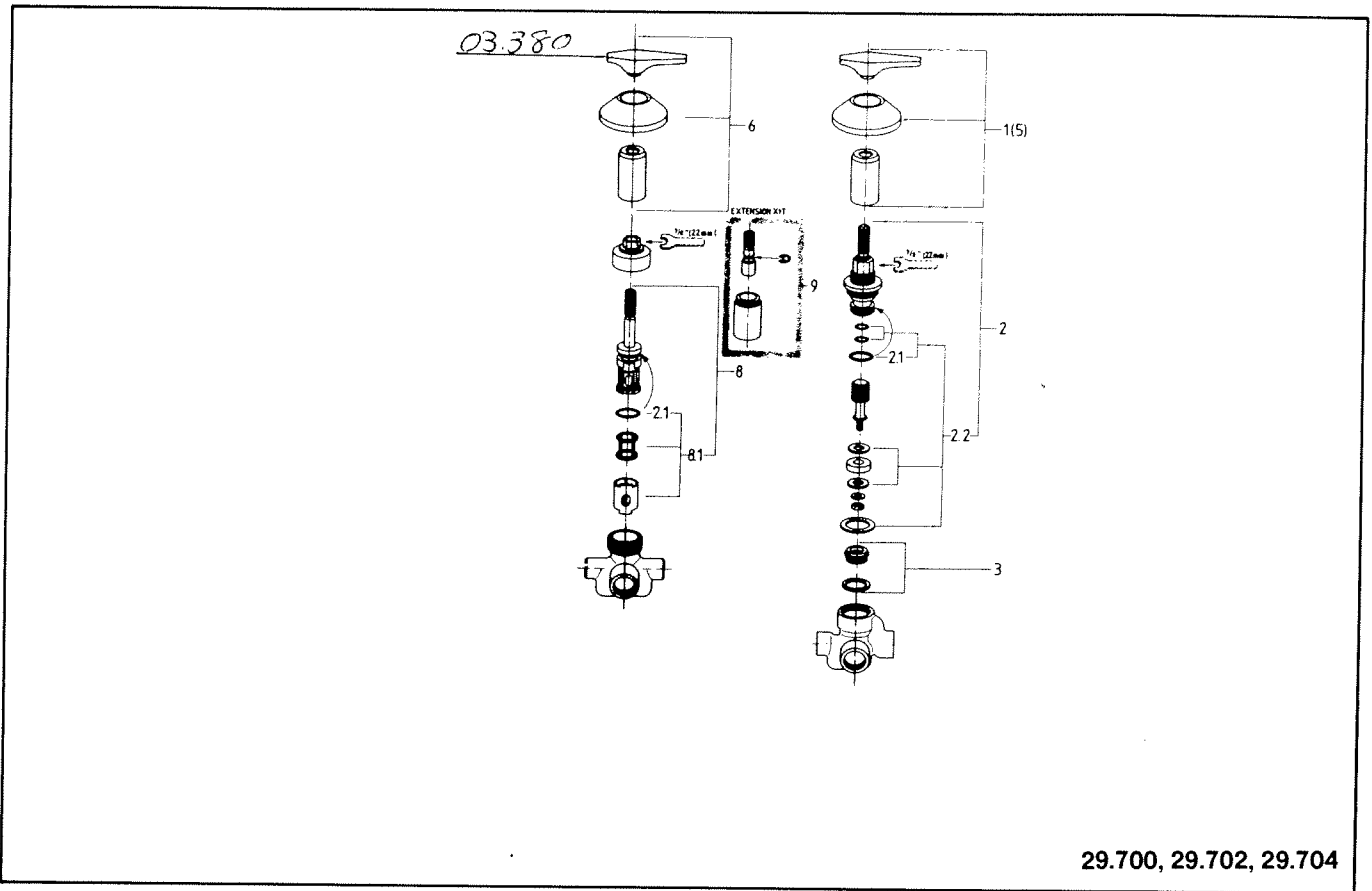
- 3 Port Diverter (2 way) shall have one 1/2" FPT mixed water inlet, and two 1/2" FPT mixed water outlets.
- 4 Port Diverter (2 way) shall have two 1/2" water inlets, one 1/2" FPT mixed water outlet and one 3/4" FPT mixed water outlet.
- 5 Port Diverter (3 way) shall have two 1/2" FPT water inlets, two 1/2" FPT mixed water outlet and one 3/4" FPT mixed water outlet.

Transfer of 100 percent water flow accomplished by rotation of valve lever to selected outlets, i.e. shower head, body sprays, hand-shower, etc. Lever to be tamper resistant in design, diverter shall be used in conjunction with concealed valves.



GROHE AMERICA





DRG REF	PART DESCRIPTION	PART NUMBER	PACK SIZE	MODEL NUMBER		
				29.700	29.702	29.704
1	Lever Set—3 Way	45.064*	1	X		
2	Cartridge	06.188	1	X	X	
2.1	Cartridge O-Ring Seal	01.284	10	X	X	X
2.2	Washer Set	45.066	1	X	X	
3	Renewable Seat Set	45.067	1	X	X	
4	Lever Set—3 Way	45.078	1			
4.1	Connection Set	45.055	1			
5	Lever Set—4 Way	45.068*	1		X	
6	Lever Set—5 Way	45.069*	1			X
7	Lever Set—4 Way	45.079	1			
8	Cartridge	06.094	1			X
8.1	Washer Set	45.071	1			X
9	Extension Kit 1/2" (Opt.)	06.428*	1	X	X	X
10	Extension Kit 1" (Opt.)	08.347	1			

*Specify Decorative Finish Color:
 G-Gold; B-Antique Brass; S-Pewter; Y-Satin Brass.

GROHE AMERICA

Grohe America, Inc.
 Subsidiary of Friedrich Grohe, West Germany
 900 Lively Blvd., Wood Dale, IL 60191
 708/350-2600 FAX 708/350-2615

