

GROHE AMERICA

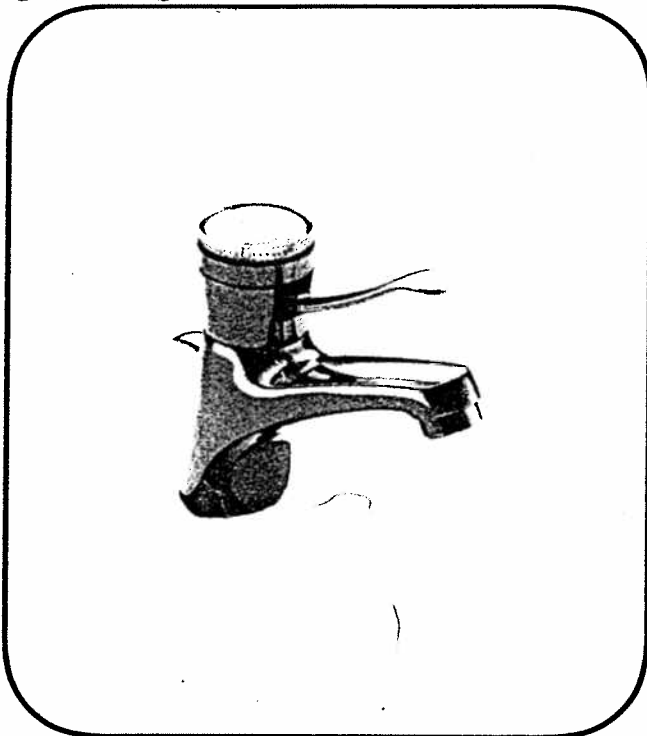


Euromix Centerset, Single-Handle 33024 and variants

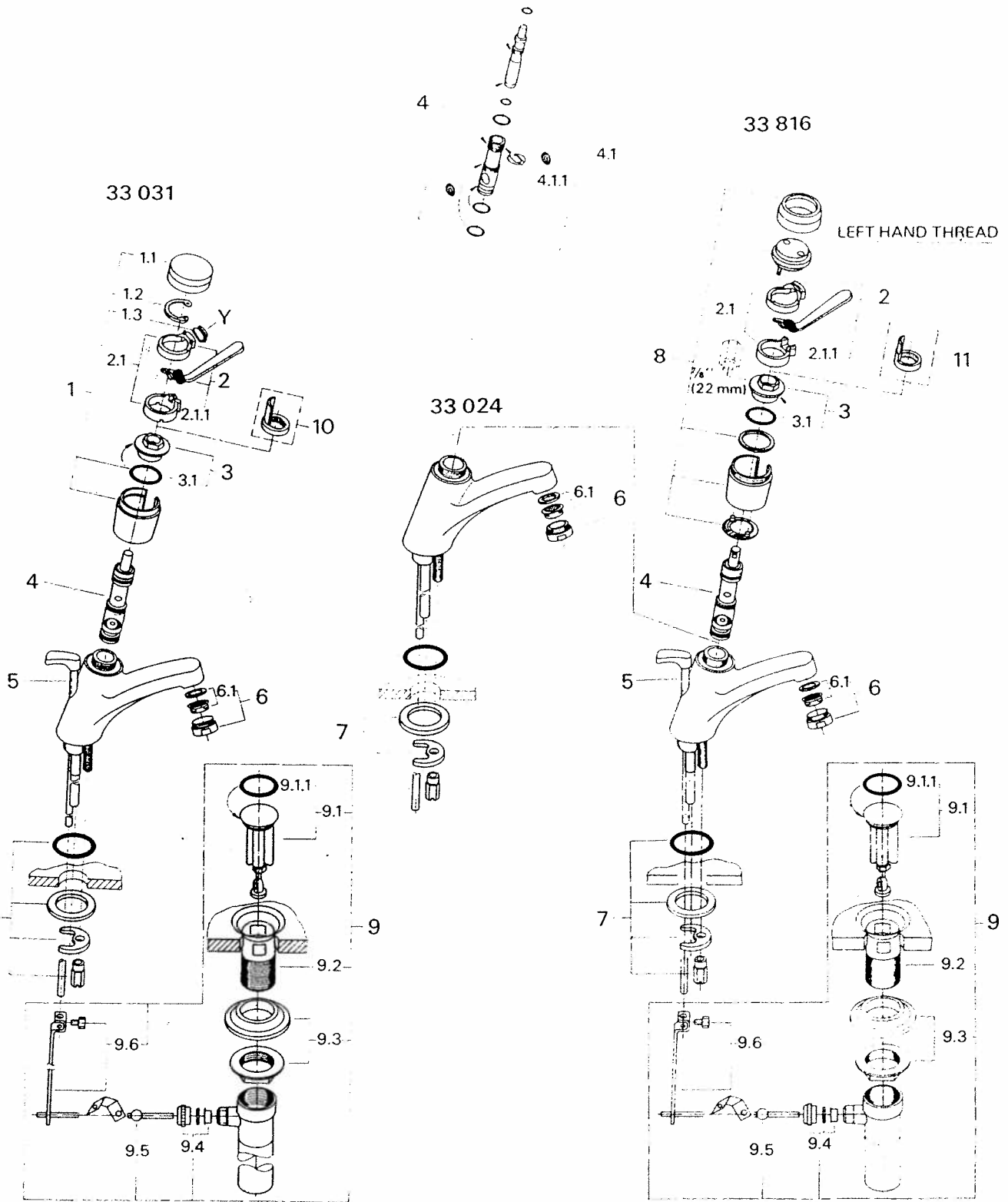
33031

w/ SCREWDRIVE Mounting
Set

Technical Product Information

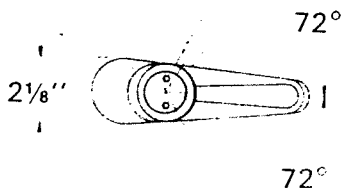
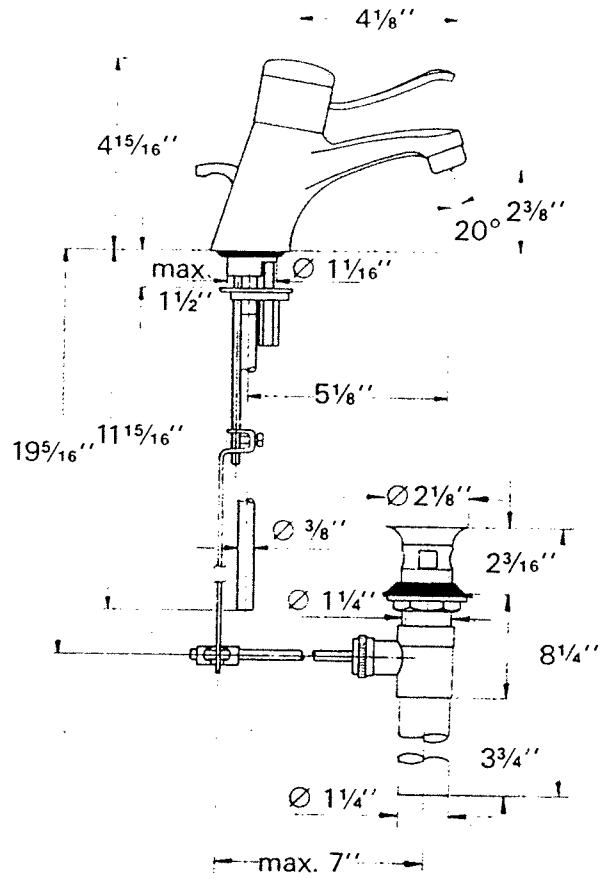
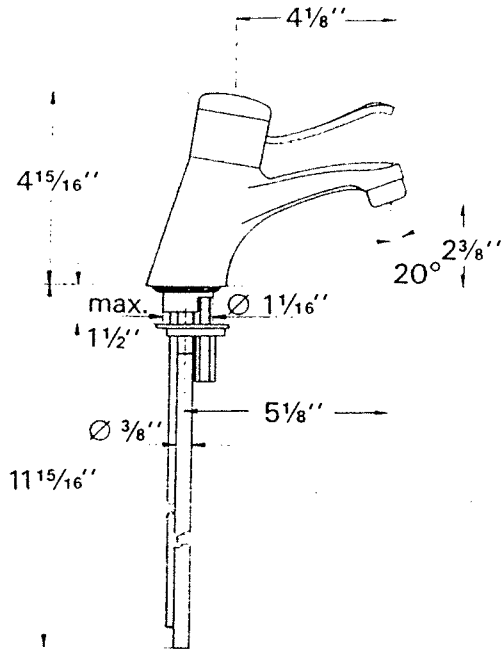


Replacement parts

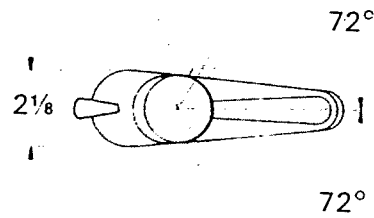


I
3

Installation dimensions



33 024



33 031
33 816

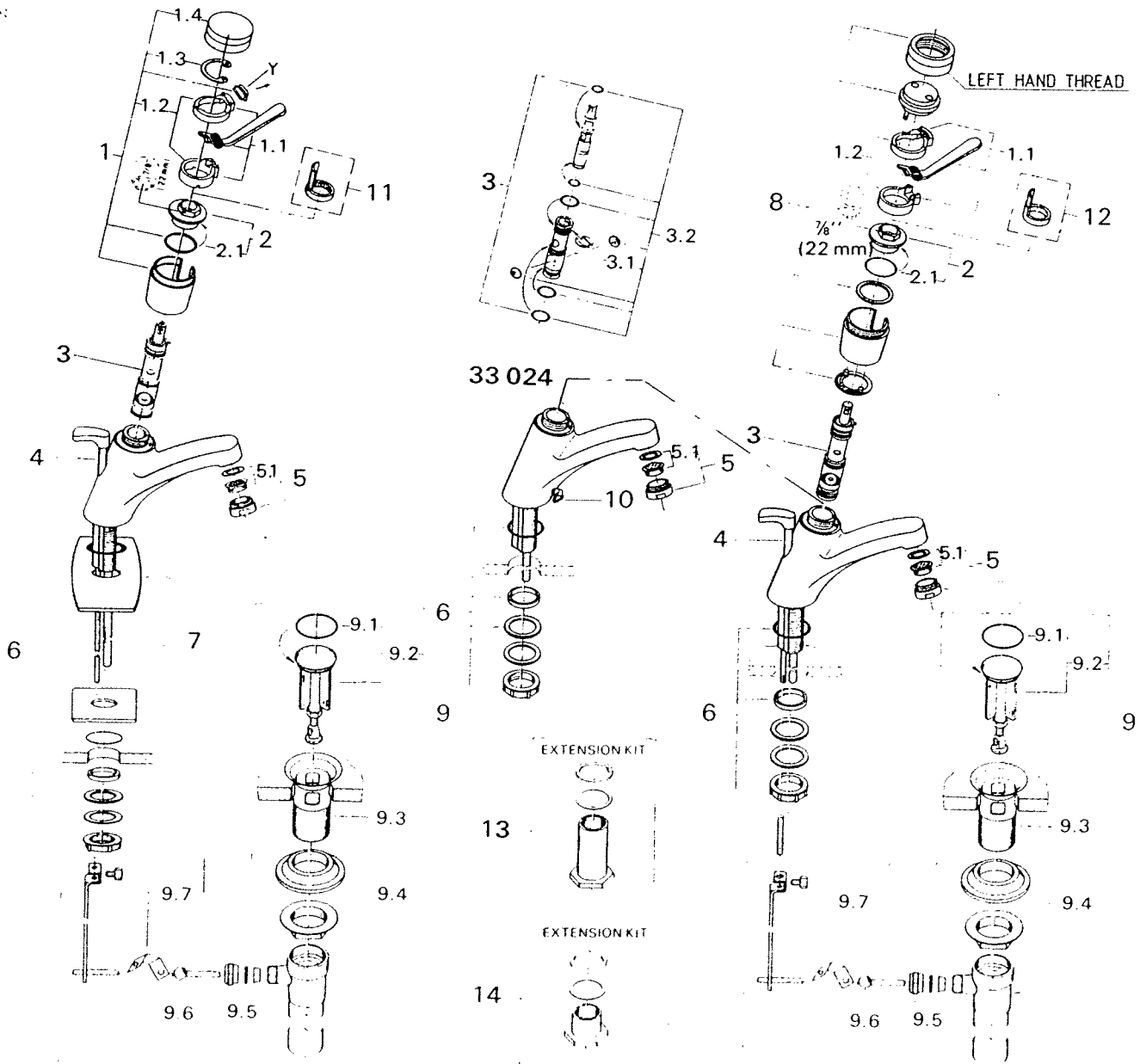
MODEL WITH LARGER (OLDER) SHANK

Replacement parts

33 514
33 031

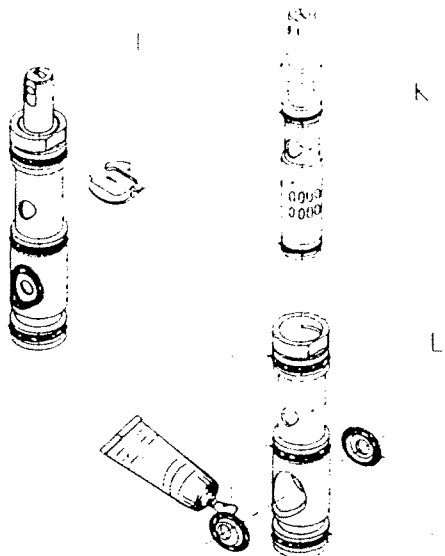
33 816

CONVERSION



Maintenance / Care

Maintenance, see fig. 2, 3, 4 and fold out page 1



Shut off hot and cold water supply

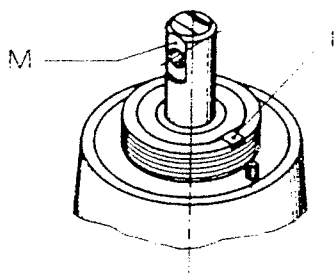
1. Remove cap. See instructions for reversed connections on page 2.
2. Remove top lever support and lever.
3. Unscrew headpart (3) by turning counter-clockwise with 7" (22 mm) A.F. box spanner and remove with lever holder.
4. Remove cartridge (4) by pulling control piston (K) out of cartridge sleeve (L).
5. Dismantle cartridge as follows, see fig. 3:
 - grip clip (I) at the side and extract
 - Pull control piston (K) out of cartridge sleeve (L).
6. Clean cartridge, check, renew if necessary and lubricate with special fittings grease Cat. No. 18012. Renew seals if necessary. **Seal set for cartridge Cat. No. 46 090.**
7. Clean all components, check and renew if necessary and grease with special fittings grease (Cat. No. 18 012).
8. Unscrew Flow control and clean strainer (6.1).

③

Only original Friedrich Grohe replacement parts may be used.

Reassemble in reverse order.

Insert cartridge in housing turning it slightly back and forth.



Note:

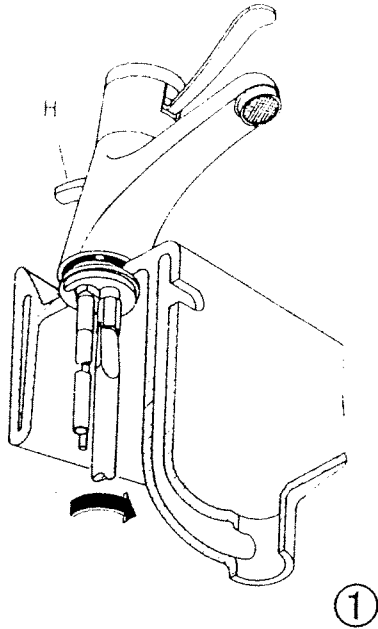
The tongue of clip (I) must engage in the recess on the mixer body (rotation lock), see fig. 4. The flat (M) of the control piston must be on the left, see fig. 4. If the hot/cold function does not agree with the colour symbols on the indicator ring, see "Reversed connection", page 2 fig. 2.

④

Care

Instructions for care of this one-hand mixer will be found in the Limited Warranty supplied.

99000



①

Installation

Flush pipes through thoroughly

Mount Centerset on Lavatory.

See dimensional drawings fold out page II.

For installation you require only a 13 mm A/F socket wrench or a screwdriver, see Fig. ①.

When assembling, the lift rod (H) has to be placed into the body.

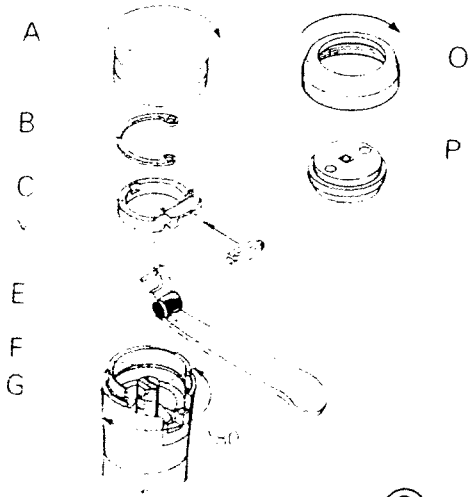
Connect faucet

For this purpose the copper pipes must be fitted on to the angle stops (or other supply points). The hot water supply should be connected on the LHS and the cold water supply on the RHS.

Reversed connection see fig. ②.

Open angle stops and check function of faucet.

Check connections for leakage.



②

Reversed connection, see fig. ②.
(hot RH - cold LH)

For bayonet type caps

Turn cap (A) clockwise.

Remove circlip (B) with circlip plier from groove of lever mount (F).

Extract clamping piece (Y).

For Screw type caps

Unscrew ring (O) clockwise.

Remove indicator plate (P).

Remove top lever support (C) and lever (E).

Turn control piston (G) through 180°.

The water need not be shut off for this purpose.

Specification

Applicaiton

- Pressurized storage heaters.
- Thermally controlled instantaneous heaters.
(set flow temperature to 120 °F.)
- Hydraulically controlled instantaneous heaters
(operation is however subject to certain restrictons
in comfort occasioned by the function of the heater)

Operation with low pressure storage heaters
(displacement water heater) is not possible.

Specification

- max.flow 2.2 GPM
- Flow pressure
 - min 7 p.s.i.
 - recommended 15 - 75 p.s.i.
 - greater than 75 p.s.i., fit pressure reducing valve
- Working pressure - max. 150 p.s.i.
- Test pressure 230 p.s.i.
- Temperature
 - max. (hot water inlet) 180 °F.
 - recommended (economy setting) 140 °F.
 - limitation possible by fitment of
temperature limit ring, see replacement
parts page 4 item 10 and 11.
- water connection hot - LH
cold - RH

Note

Major pressure differences between cold and hot water
supply should be avoided.

Replacement parts

| Specification Page Nos. | | | | | Technical Product Information | | | |
|-------------------------|---------|---------|-------------|---------------|-------------------------------|----------------------------------|----------|--------------|
| DRG REF | DRG REF | DRG REF | 3-5 DRG REF | CII-8 DRG REF | DRG REF | Description | Cat. No. | Packing unit |
| | | | 1 | | 1 | Cap and Head Set (without lever) | 46 023 | 1 |
| | | | | | 1.1 | Cap for Up-scale versions | 07 244 | 1 |
| | | | | | 1.2 | Circlip | 05 249 | 1 |
| | | | | | 1.3 | Clamping piece | 03 970 | 10 |
| | | | 1.3 | 1.1 | 2 | Lever and Supports | 46 026 | 1 |
| | | | 1.4 | 1.2 | 2.1 | Lever Supports | 46 037 | 1 |
| | | | | | 2.1.1 | Lever support | 05 599 | 10 |
| | | | 2 | 2 | 3 | Head Nut with O-Ring | 46 022 | 1 |
| | | | | | 3.1 | Head O-Ring | 02 967 | 5 |
| | | | 3 | 3 | 4 | Cartridge | 07 000 | 1 |
| | | | 3.1 | 3.1 | 4.1 | Clip | 00 117 | 5 |
| | | | 3.2 | 3.2 | 4.2 | Cartridge Washer Set | 46 090 | 1 |
| | | | 4 | 4 | 5 | Lift Rod | 06 078 | 1 |
| | | | 6 | 5 | 6 | Flow Regulator | 13 955 | 1 |
| | | | 6.1 | 5.1 | 6.1 | Flow Regulator Set | 45 220 | 1 |
| | | | 5 | 6 | 7 | Mounting Set | 45 212 | 1 |
| | | | | 1 | 8 | Cap and Head Set (without lever) | 46 085 | 1 |
| | | | 10 | 9 | 9 | Pop up Waste | 28 958 | 1 |
| | | | 10.1 | 9.2 | 9.1 | Pop Up Stopper | 45 324 | 1 |
| | | | 10.2 | 9.1 | 9.1.1 | Stopper O-Ring | 01 147 | 1 |
| | | | | 9.3 | 9.2 | Flange | 01 153 | 1 |
| | | | | | 9.3 | Shank Nut and Bushing | 45 266 | 1 |
| | | | | | 9.4 | Nut and Bushings | 45 265 | 1 |
| | | | | | 9.5 | Ball Rod | 45 264 | 1 |
| | | | | | 9.6 | Strap with Screw | 45 263 | 1 |
| | | | 11 | | 10 | Temp. Limit Ring (Opt.) | 00 069 | 1 |
| | | | | | 11 | Temp. Limit Ring (Opt.) | 05 904 | 1 |
| | | | | | | | | |
| | | | | | | | | |
| | | | | | | | | |
| | | | | | | | | |
| | | | | | | | | |

Subject to technical modifications without notice.

