

GROHE AMERICA



Euromix

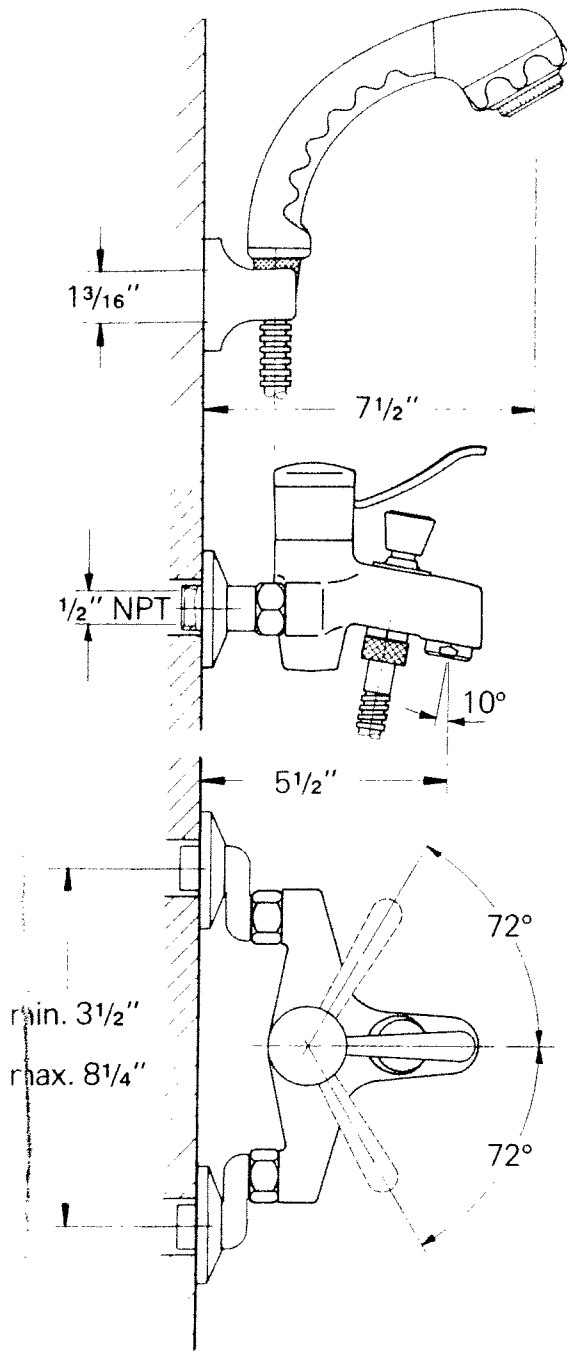
33 521 and variants

33 672 and variants

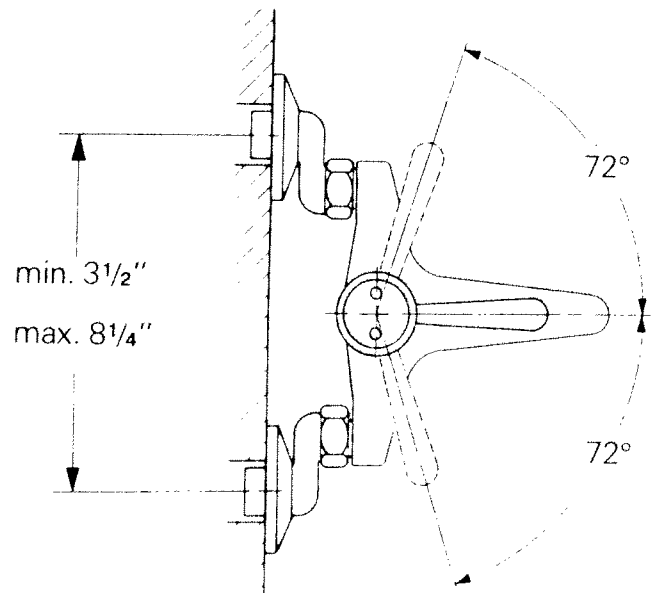
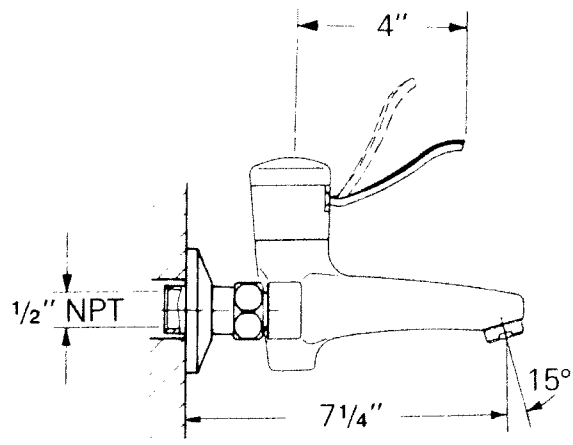
Technical Product Information



Installation dimensions

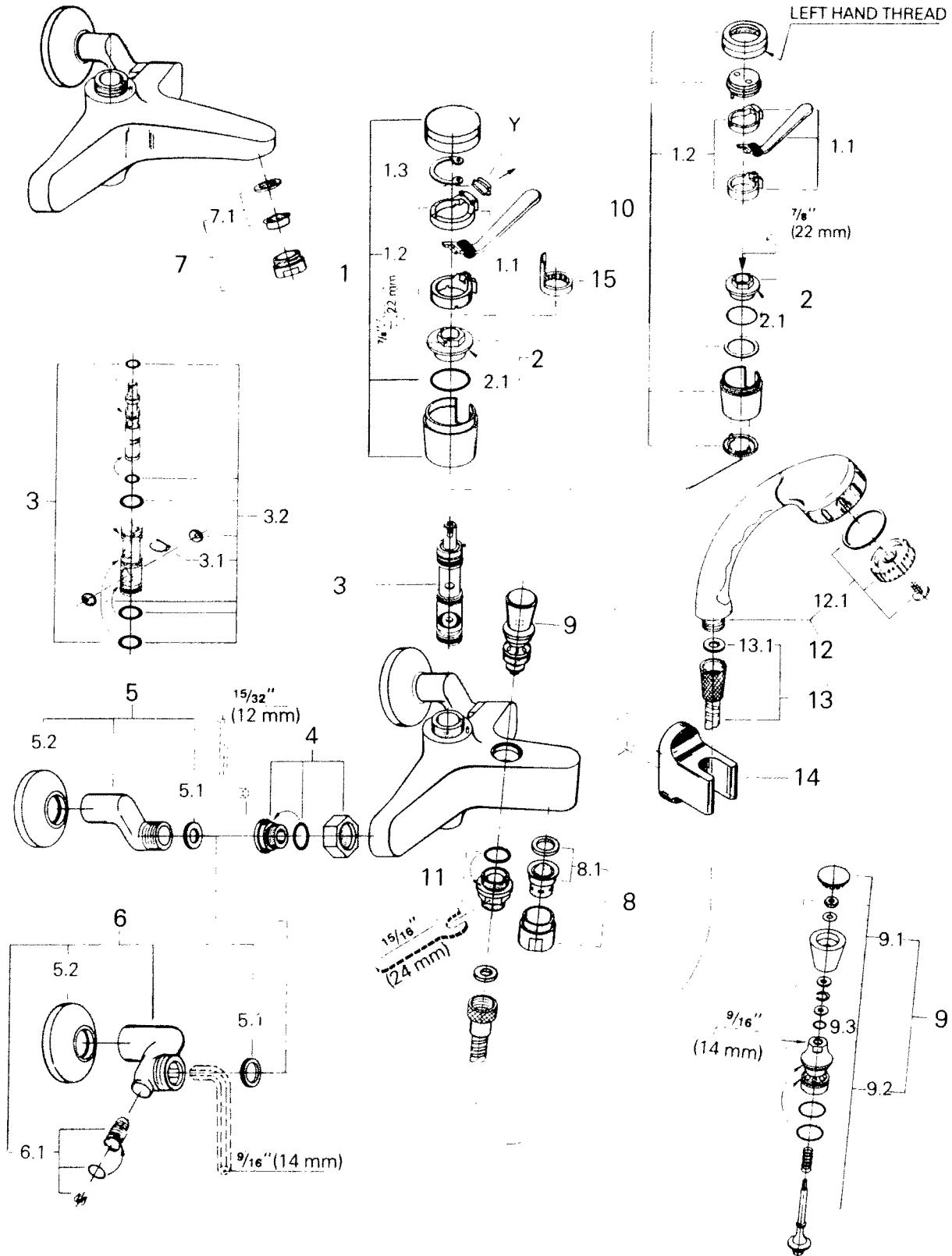


33 521



33 672

Replacement parts

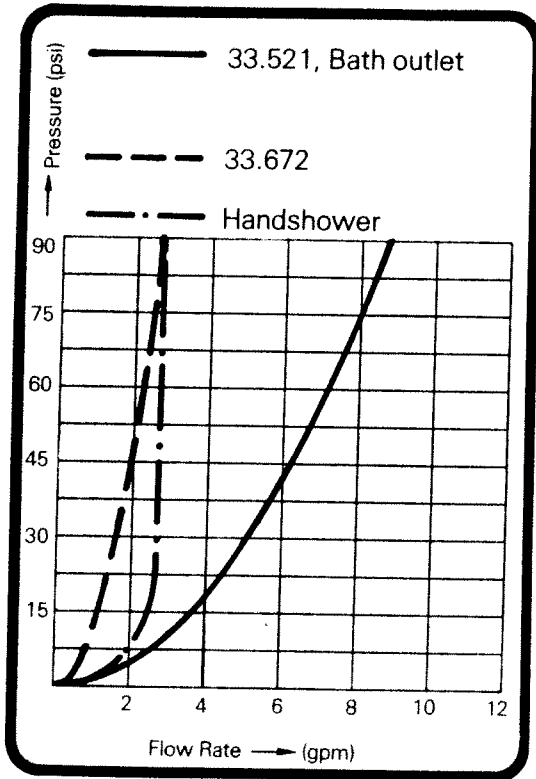


Specification

Application

- Pressurized storage heaters.
- Thermally controlled instantaneous heaters (set flow temperature to 120° F.)
- Hydraulically controlled instantaneous heaters (operation is however subject to certain restrictions in comfort occasioned by the function of the flow type heater).

Operation with low pressure storage heaters (displacement water heaters) is **not** possible.



Specification

- Flow pressure
 - min 7 p.s.i.
 - recommended 15-75 p.s.i.
 - greater than 75 p.s.i., fit pressure reducing valve
- Working pressure - max. 150 p.s.i.
- Test pressure 230 p.s.i.
- Flow delivery see fig. ①
- Temperature
 - max. (hot water inlet) 180° F.
 - recommended (economy setting) 140° F.
 - limitation possible by fitment of temperature limit ring, see replacement parts page 4 item 15
- water connection
 - hot - LH
 - cold - RH

①

Note

Major pressure differences between cold and hot water supply should be avoided.

Installation

Flush pipe lines thoroughly

Assemble S-Unions and screw mixer in position.

see fig. ②.

See dimensioned drawings on fold out page I.

The hot water connection should be on the LHS and the cold water connection on the RHS.

Reversed connection see fig. ④.

Turn on cold and hot water supply and check function of mixer.

Lift lever	open (water flow)
Push lever down	closed
Move lever to R	cold water
Move lever to L	hot water

Check function of automatic diverter (A) of bath mixer (33 521) see also fig. ③.

The water supply is turned on by lifting the lever. The water will always emerge from the bath outlet first of all. Pulling the diverter selector (A) closes the water passage to the bath and the water is diverted to the shower outlet.

When the mixer is closed the selector is automatically pushed in so that when the mixer is opened again the water will emerge from the bath outlet.

Check connections for leakage

Reversed connection, see fig. ④.
(hot RH – cold LH)

For bayonet type caps

Turn cap (B) clockwise.

Remove circlip (C) with circlip plier from groove of lever mount (F).

Extract wedge (Y).

For Screw type caps

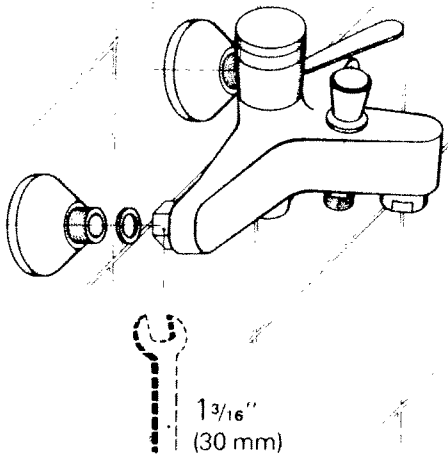
Unscrew ring (O) clockwise.

Remove indicator plate (P).

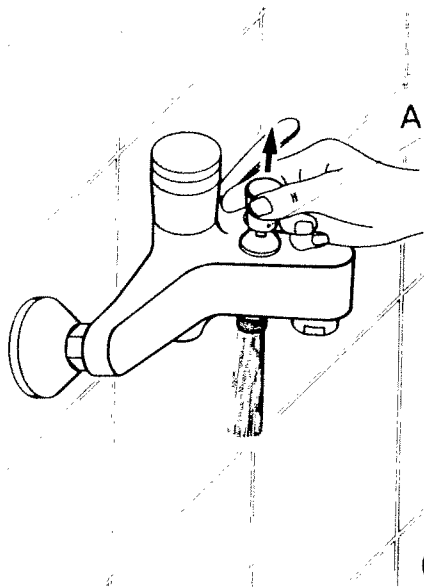
Remove top lever support (D) and lever (E).

Turn control piston (G) through 180°.

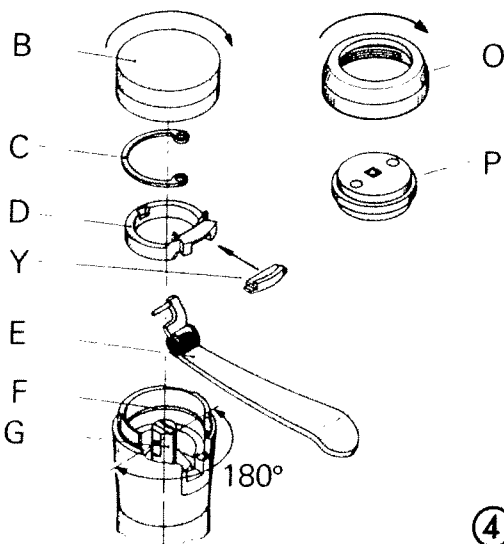
The water need not be shut off for this purpose.



②



③



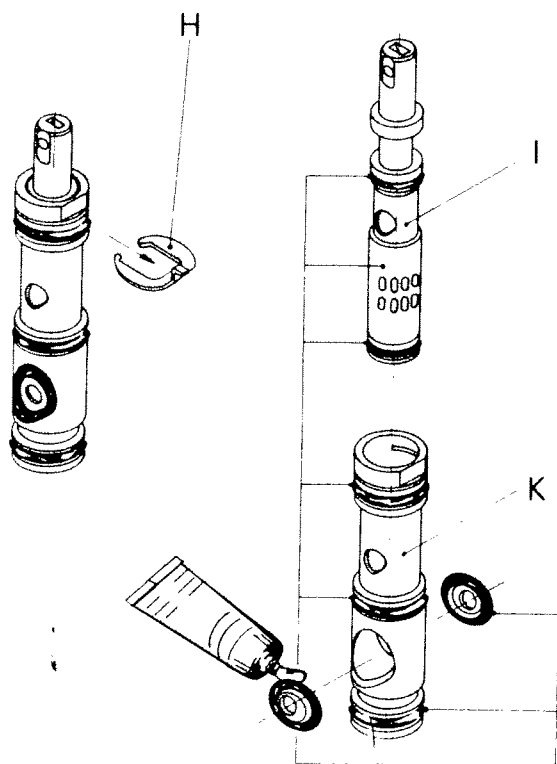
④

Maintenance/Care

Maintenance see figs. ④, ⑤ + ⑥ and fold out page II.

Shut off cold and hot water supply

1. Remove Cap. See instructions for reversed connection on page 2.
2. Remove lever and lever supports.
3. Unscrew headpart (2) by turning counter-clockwise with $\frac{7}{8}$ " (22 mm) A/F box spanner and remove with lever holder.
4. Remove cartridge (3) by pulling control piston.
5. Dismantle cartridge as follows, see fig. ⑤.
 - grip clip (H) at the side and extract.
 - Pull control piston (I) out of cartridge sleeve (K).
6. Clean cartridge, check, renew if necessary and lubricate with special fittings grease. Cat. No. 18012. Renew seals if necessary.
7. Clean all components, check and renew if necessary and grease with special fittings grease (Cat. No. 18012).
8. Unscrew Flow control (7 and 8) and clean.



⑤

Only original **Friedrich Grohe** replacement parts may be used.

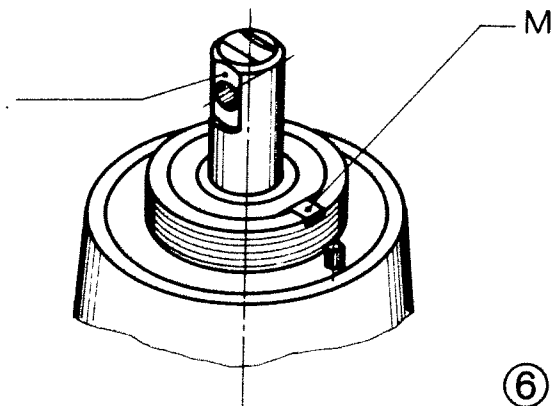
Reassemble in reverse order.

Insert cartridge in housing turning it slightly back and forth.

Note:

The tongue of clip (M) **must** engage in the recession the mixer body (rotation lock), see fig. ⑥. The flat (L) of the control piston must be on the left, see fig. ⑥.

If the hot/cold function does not agree with the colour symbols on the indicator ring, see "Reversed connection" page 2 fig. ④.



⑥

Care

Instructions for Care of this one-hand mixer will be found in the Instructions for Care supplied.

