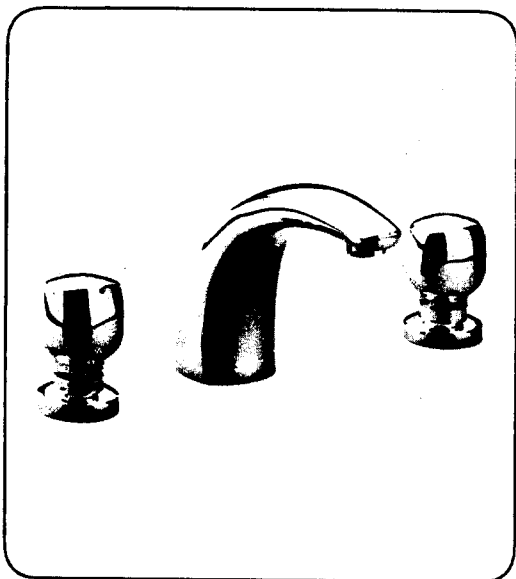




Exquisit 20 610

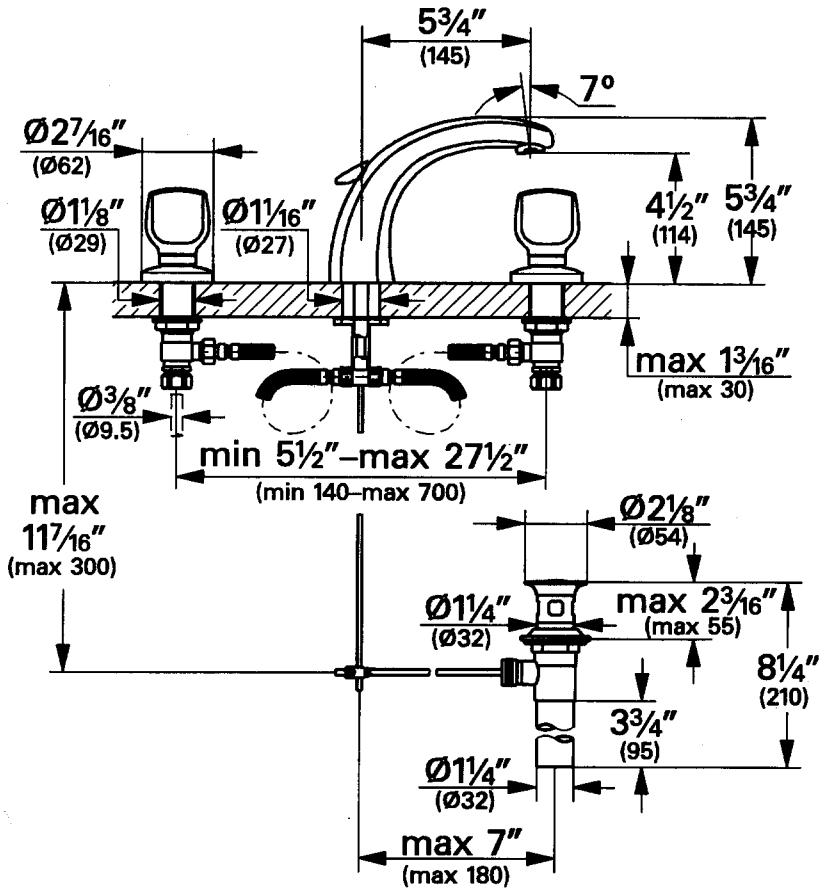
Technical Product Information



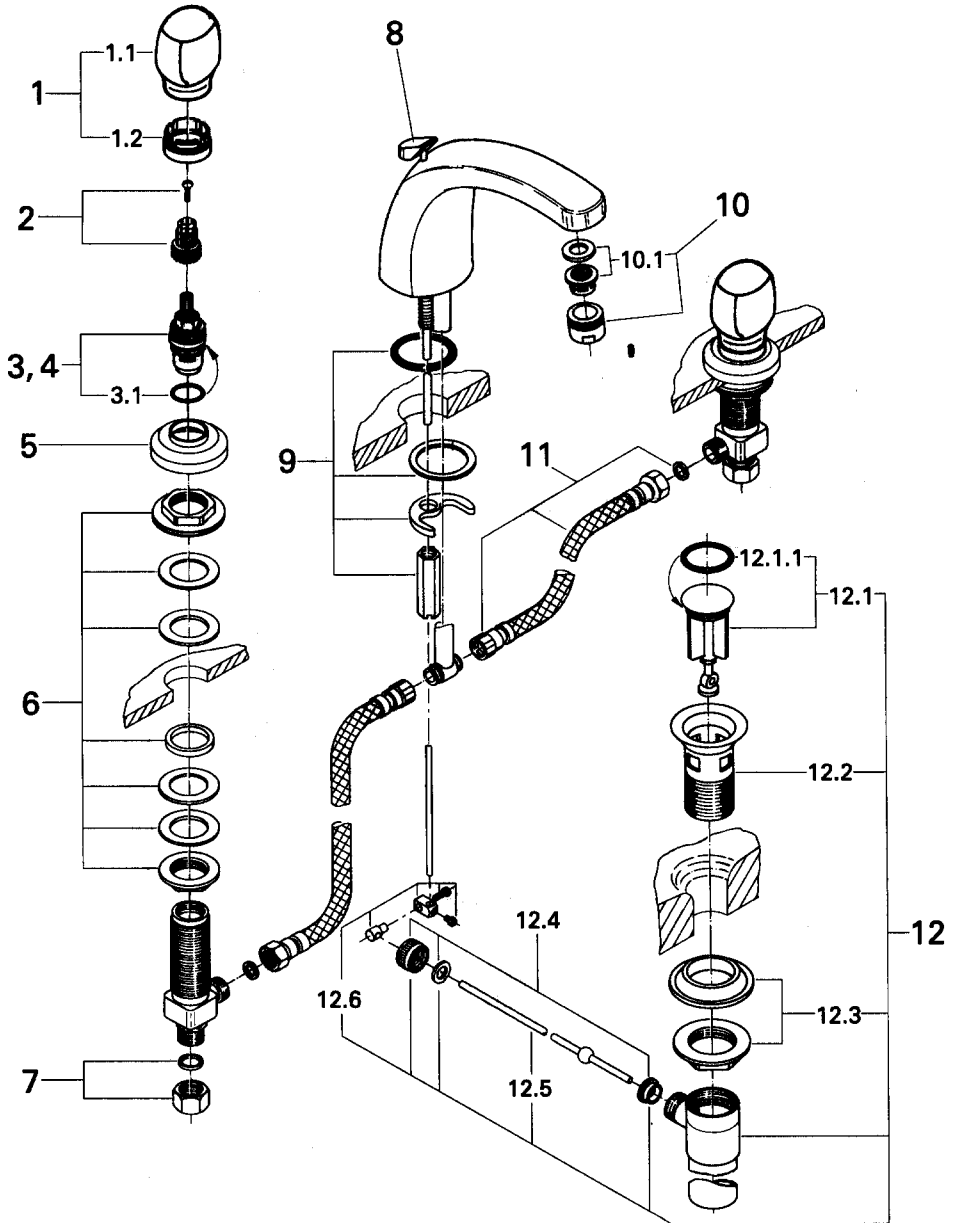
Wideset

Installation dimensions

20 610



Replacement parts



Specification

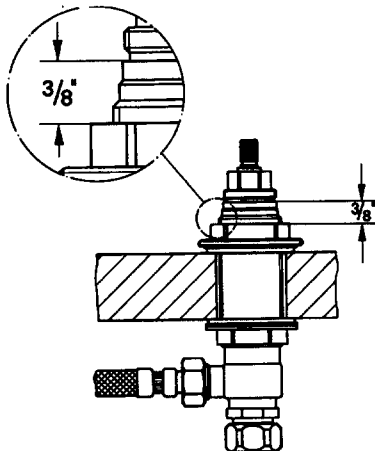
Application

- Pressurized storage heaters
- Thermally controlled instantaneous heaters (set flow temperature to 120 °F)
- Hydraulically controlled instantaneous heaters (operation is however subject to certain restrictions in comfort occasioned by the function of the heater)

Operation with low pressure storage heaters (displacement water heaters) is not possible.

Specification

● Max. flow	2.2 GPM
● Flow pressure	
- min	7 p.s.i.
- recommended	15-75 p.s.i.
- greater than 75 p.s.i., fit pressure reducing valve	
● Working pressure - max.	150 p.s.i.
● Test pressure	230 p.s.i.
● Temperature	
- max. (hot water inlet)	180 °F
- recommended (economy setting)	140 °F
● Water connection	hot - LH cold - RH



Note

Major pressure differences between cold and hot water supply should be avoided.

Before mounting faucet:

Pre assemble components.

The distance from the top edge of the fixing nut to the top of the first shoulder on the cartridge must be $\frac{3}{8}$ ", see fig. [1]

[1]

Installation

Flush pipes through thoroughly

Mount wideset on lavatory

See dimensional drawing fold out page I.

Connect wideset

For this purpose the side valves must be connected to the angle stops (or other supply points).

The hot water supply should be connected on the left, the cold water supply on the right side.

Left close valve should be mounted on the right (cold) side. Right close valve should be mounted on the left (hot) side.

Valves are masked with a "L" (left close) or "R" (right close) on the top edge of the cartridge.

Open angle stops and check function of faucet.

Check connections for leakage.

Only original Grohe replacement parts may be used.

Replacement parts/ Care

No.	Description	Cat. No.	Pack- ing unit	No.	Description	Cat. No.	Pack- ing unit
1	Exquisit handles, pair	18 994	2	10	Flow regulator M24x1	13 955	1
1.1	Exquisit handles	00 790	1	10.1	Flow regulator M24x1	45 220	1
1.2	Accent rings, pair	18 992	2	11	Connection hose	45 442	1
2	Handle connection set	45 186	1	12	Pop up waste	28 95v	1
3	Ceramic cart. 90°, right	45 882	1	12.1	Stopper	45 324	1
3.1	Body seal O-ring	03 924	10	12.1.1	Stopper O-ring	01 147	5
4	Ceramic cart. 90°, left	45 883	1	12.2	Flange	01 153	1
5	Flange	45 223	1	12.3	Shank nut and bushing	45 266	1
6	Mounting set side valve	45 025	1	12.4	Nut and bushings	45 265	1
7	Connection nut set	12 902	2	12.5	Ball rod	45 264	1
8	Lift rod	45 177	1	12.6	Toggle lever	45 485	1
9	Mounting set spout	45 226	1				

Subject to technical modification without notice.

Care

Instructions for care of this wideset, will be found in the Limited Warranty supplement.

Grohe America Inc.
241 Covington Drive
Bloomington, IL
60108
U.S.A.
Technical Services
Phone: 630/582-7711
Fax: 630/582-7722

Grohe Canada Inc.
1230 Lakeshore Road East
Mississauga, Ontario
Canada, L5E 1E9
Technical Services
Services Techniques
Phone/Tél: 905/271-2929
Fax/Télécopieur: 905/271-9494