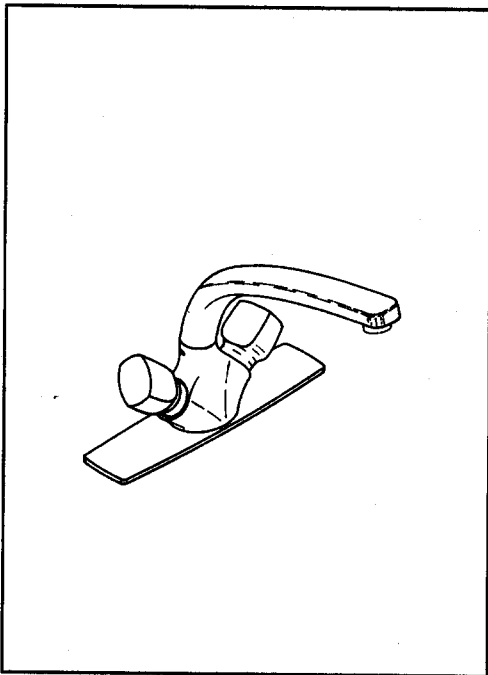
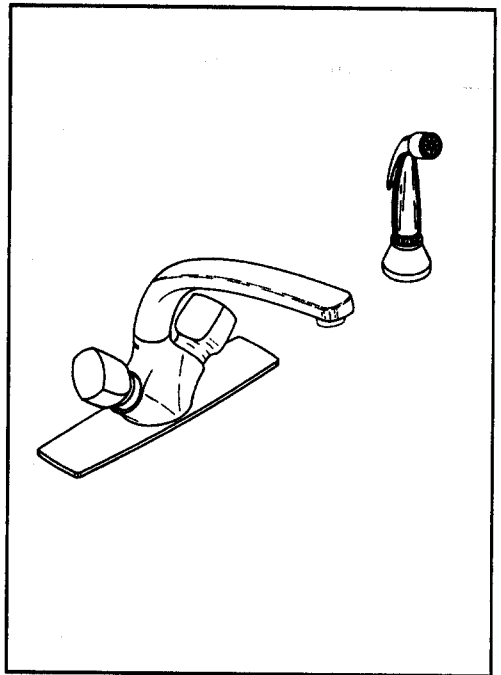


GROHE

Exquisit



31 663



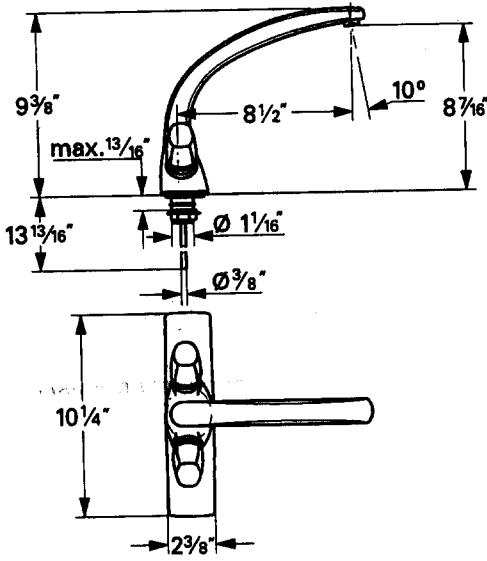
31 665

31 664

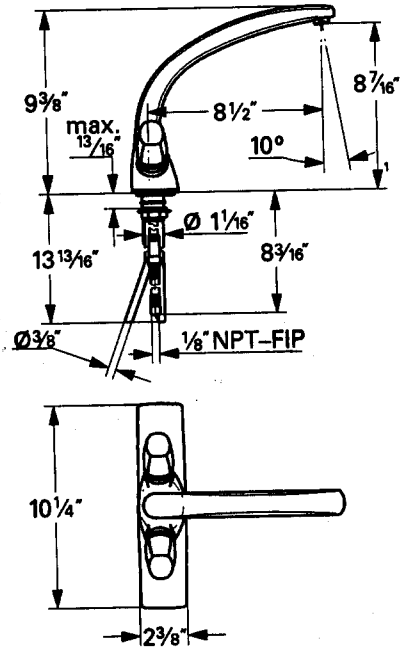


Installation dimensions

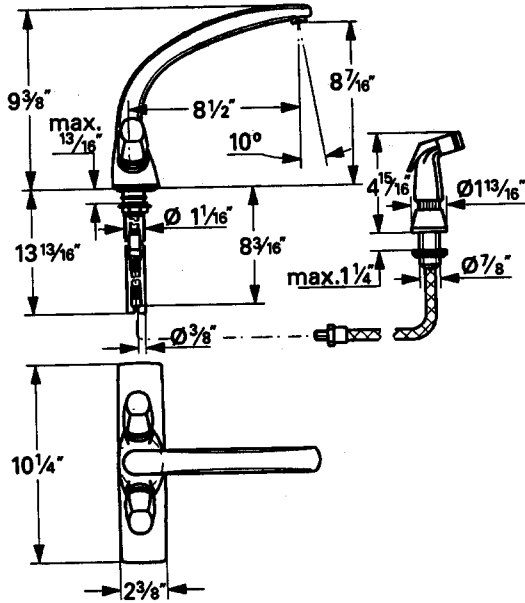
31 663



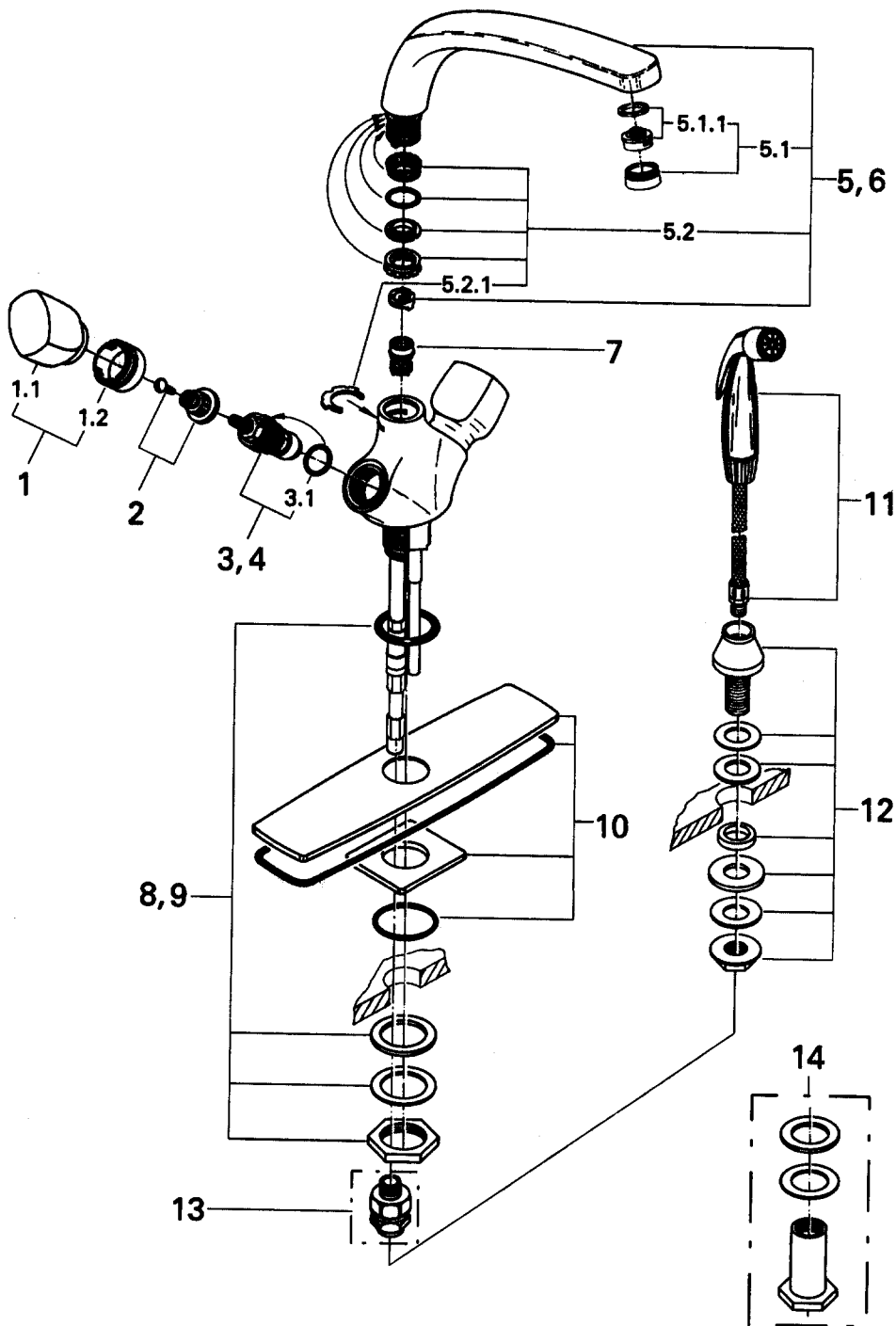
31 665



31 664



Replacement parts



Specification

Application

- Pressurized storage heaters
- Thermally controlled instantaneous heaters (set flow temperature to 120 °F)
- Hydraulically controlled instantaneous heaters (operation is however subject to certain restrictions in comfort occasioned by the function of the heater)

Operation with low pressure storage heaters (displacement water heaters) is not possible.

Specification

● Max. flow	2.2 GPM
● Flow pressure	
- min	7 p.s.i
- recommended	15-75 p.s.i
- greater than 75 p.s.i., fit pressure reducing valve	
● Working pressure - max.	150 p.s.i
● Test pressure	230 p.s.i
● Temperature	
- max. (hot water inlet)	176 °F
- max. (with spray)	160 °F
- recommended (economy setting)	140 °F
● Water connection	hot - LH cold - RH

Note

Major pressure differences between cold and hot water supply should be avoided.

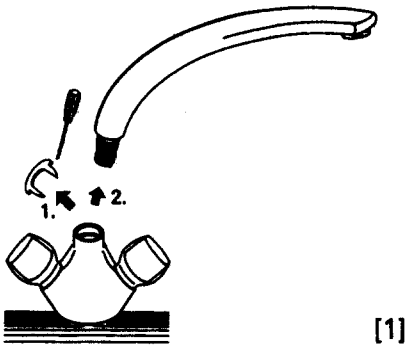
Installation

Flush pipes through thoroughly

Mount faucet and hose bushing on sink unit

See dimensional drawing fold out page I.

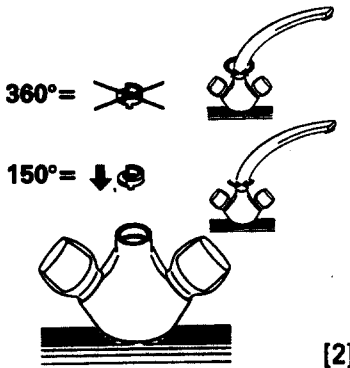
When installing the hose bushing in worktops thicker than 1" it's necessary to use suitable shank extension, see replacement parts page 3 items 14



Connect faucet

For this purpose the copper pipes must be fitted on to the angle stops (or other supply points) and the dish rinser hose on to the faucet.

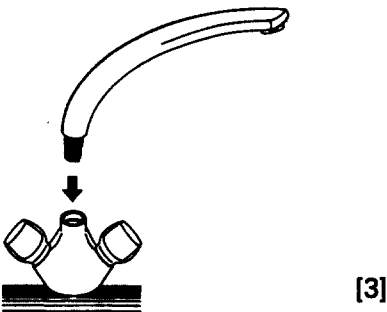
The hot water supply should be connected on the left, the cold water supply on the right side.



Mount swivel spout

Swivel spout may be set to swing 150° or 360°, see figs. [1] to [4], only for 31 663.

Spout swivels 360° on 31 664. Swivel stop indicated in fig. [2] is replaced with a plastic spacer to maintain position of diverter valve on 31 664.



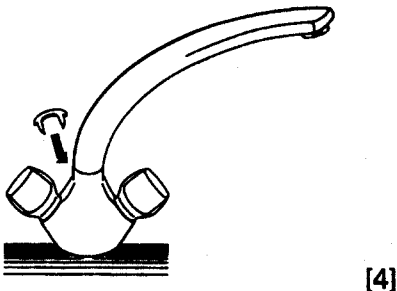
Open angle stops and check function of faucet.

Operate the dish rinser spray with the faucet turned on. If water additionally flows out the main outlet, the diverter assembly (7) should be cleaned.

Check connections for leakage.

Maintenance

Unscrew and clean flow regulator (5.1), see fold out page II.



Replacement parts/ Care

No.	Description	Cat. No.	Pack- ing unit	No.	Description	Cat. No.	Pack- ing unit
1	Exquisit handles (pair)	18 991	2	6	Swivel spout 9" (31 664)	13 452	1
1.1	Exquisit handle	00 899	1	7	Diverter assembly	07 970	1
1.2	Accent rings	18 992	2	8	Mounting set (31 663)	45 143	1
2	Handle connection set	45 186	1	9	Mounting set (31 664)	46 005	1
3	Ceramic cart. 90°, right	45 625	1	10	10" Escutcheon	07 543	1
3.1	Body seal O-ring	03 924	10	11	Spray and hose	27 844	1
4	Ceramic cart. 90°, left	45 626	1	12	Spray holder	28 729	1
5	Swivel spout 9" (31 663)	08 981	1				
5.1	Flow regulator	13 955			Optional accessories		
5.1.1	Flow regulator set	45 220		13	Check valve and flow	08 704	1
5.2	Spout fitting set (31 663)	45 474			restrictor		
5.2.1	Spout clip	05 850		14	2" Extension kit spray	12 922	1

Subject to technical modification without notice.

Only original Grohe replacement parts may be used.

Care

Instructions for care of this faucet will be found in the Limited Warranty supplement.

Grohe America Inc.
241 Covington Drive
Bloomington, IL
60108
U.S.A.

Technical Services
Phone: 630/582-7711
Fax: 630/582-7722

Grohe Canada Inc.
862 Arvin Avenue, Unit 7
Stoney Creek, Ontario
Canada, L8E 5P2
Technical Services
Services Techniques
Phone/Tél: 905/643-9848
Fax/Télécopieur: 905/643-9843