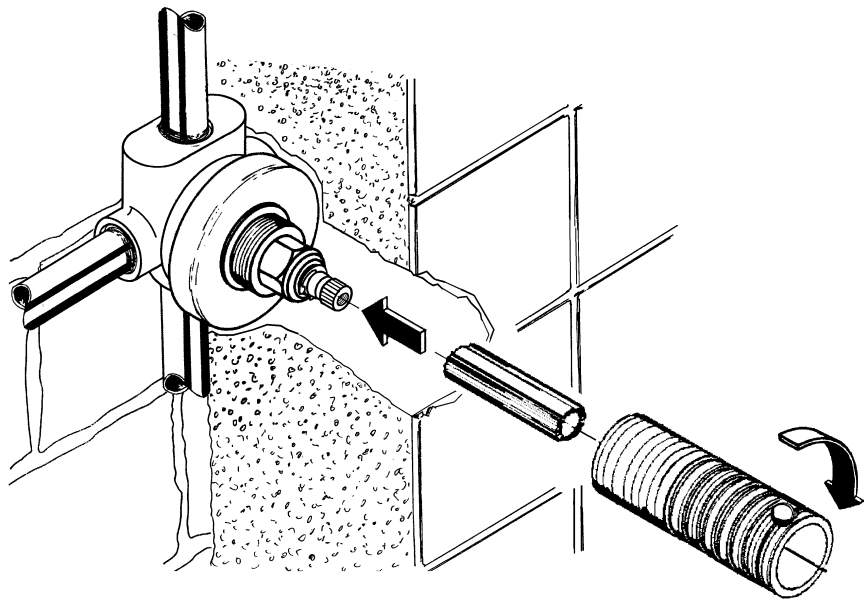
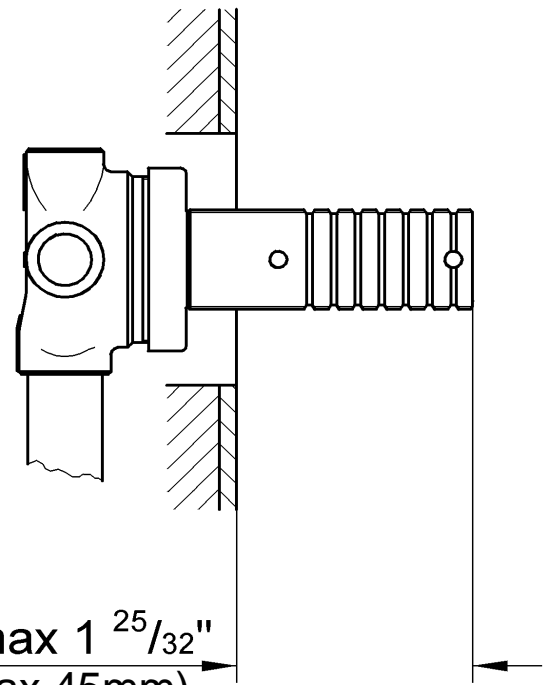


19 211 / 19 212 / 19 217

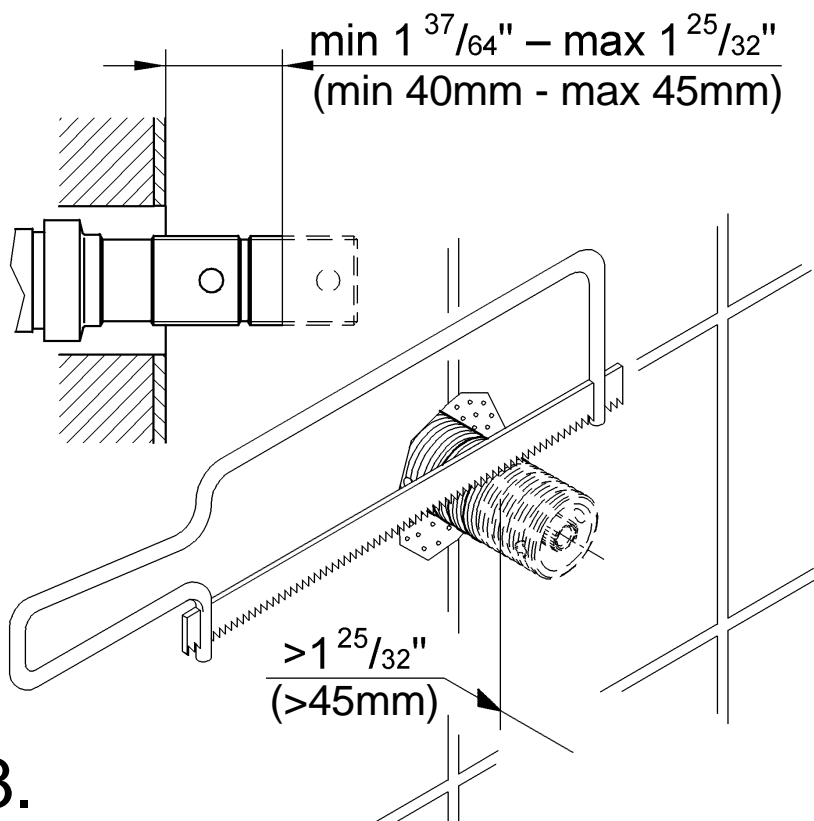


1.

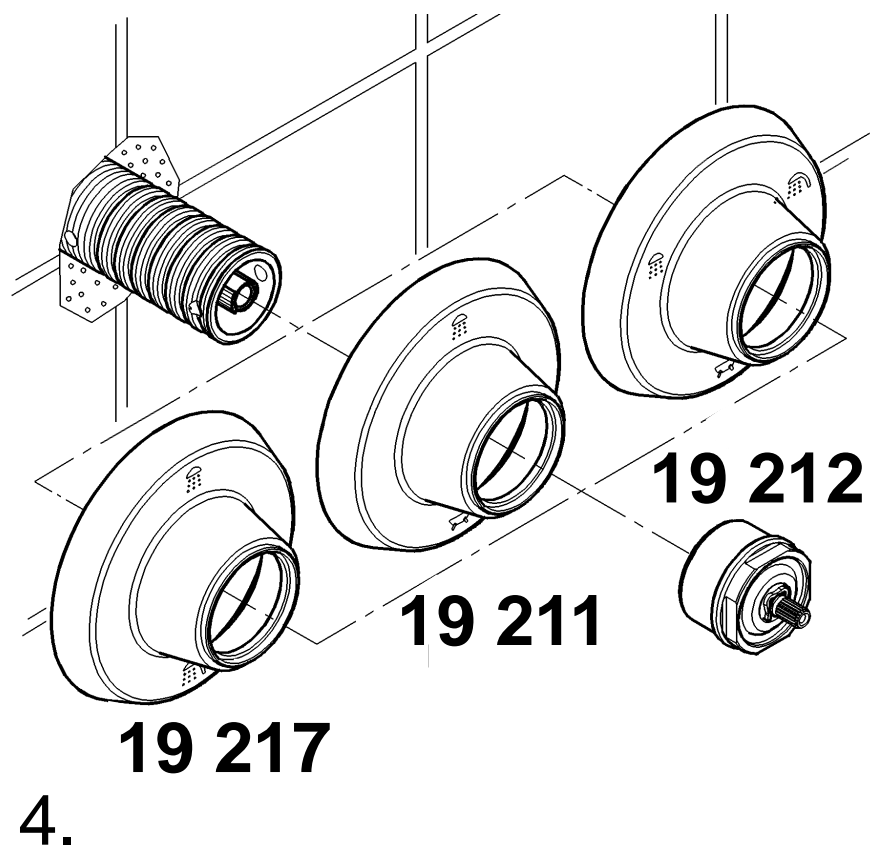


min $1 \frac{37}{64}$ " – max $1 \frac{25}{32}$ "
(min 40mm - max 45mm)

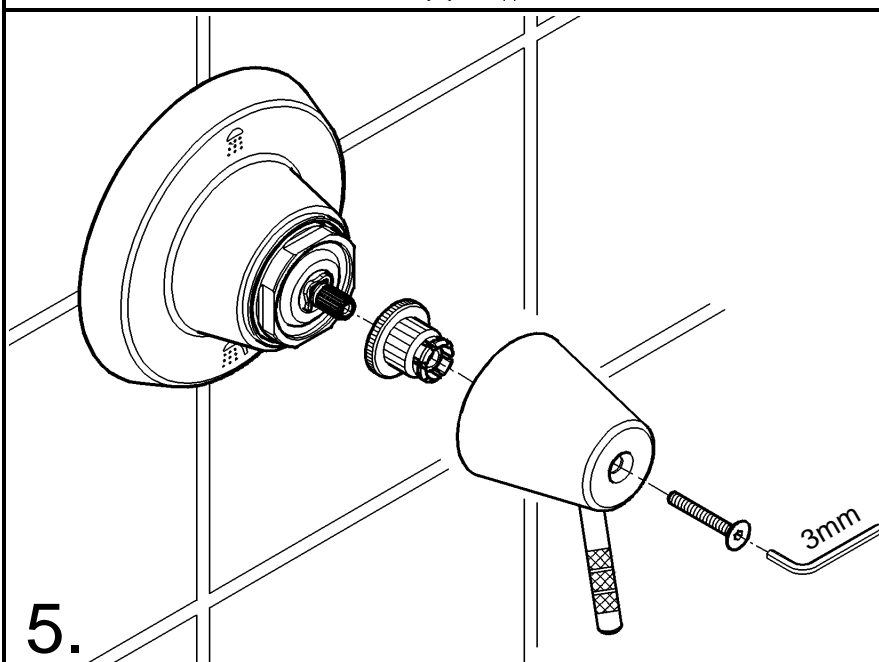
2.



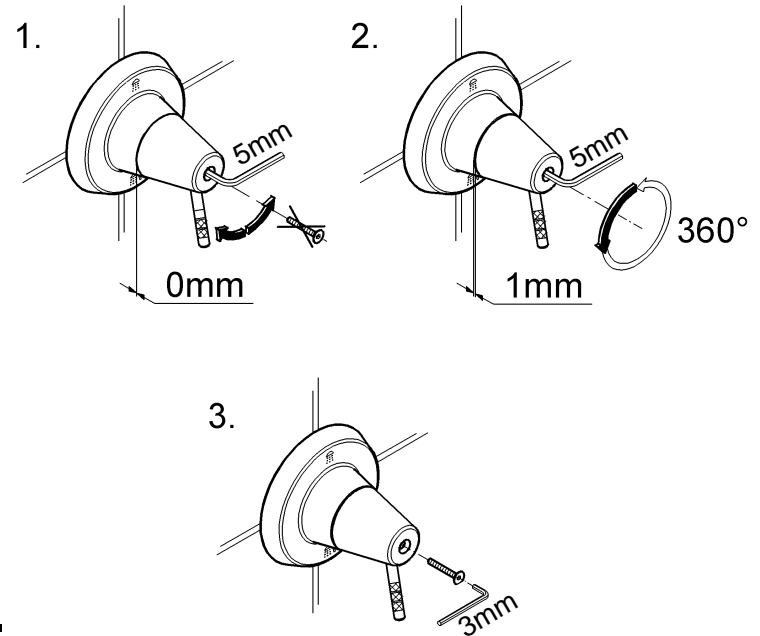
3.



4.



5.

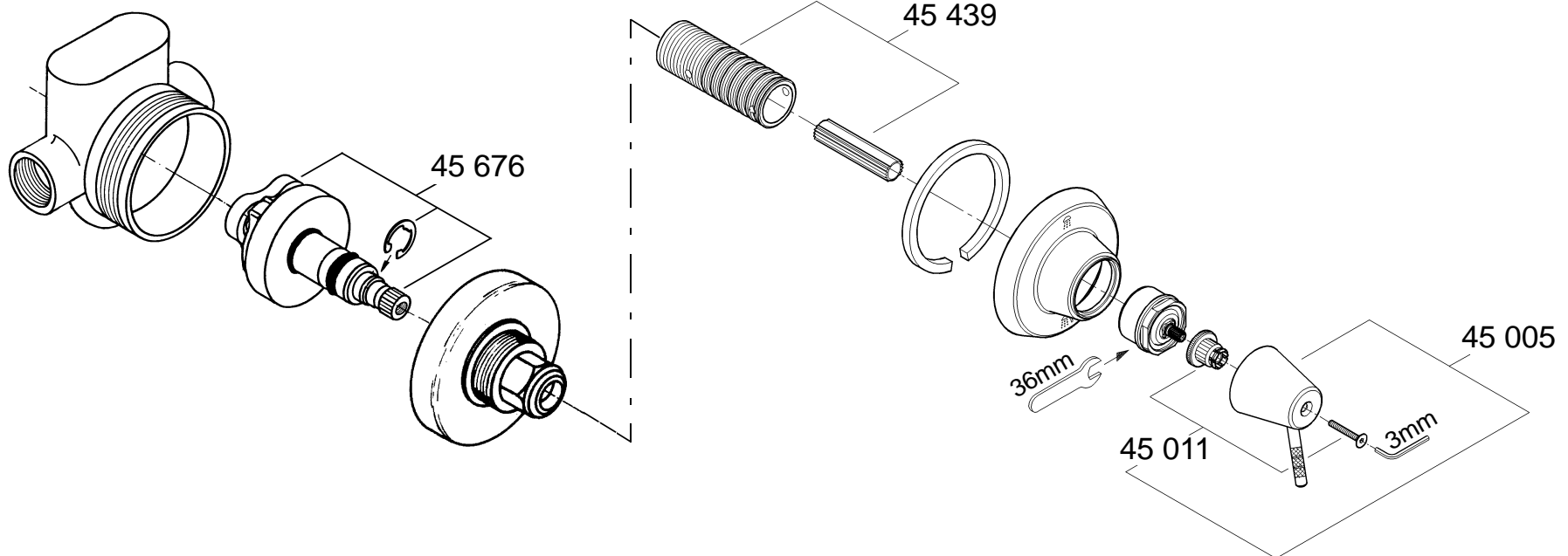


6.



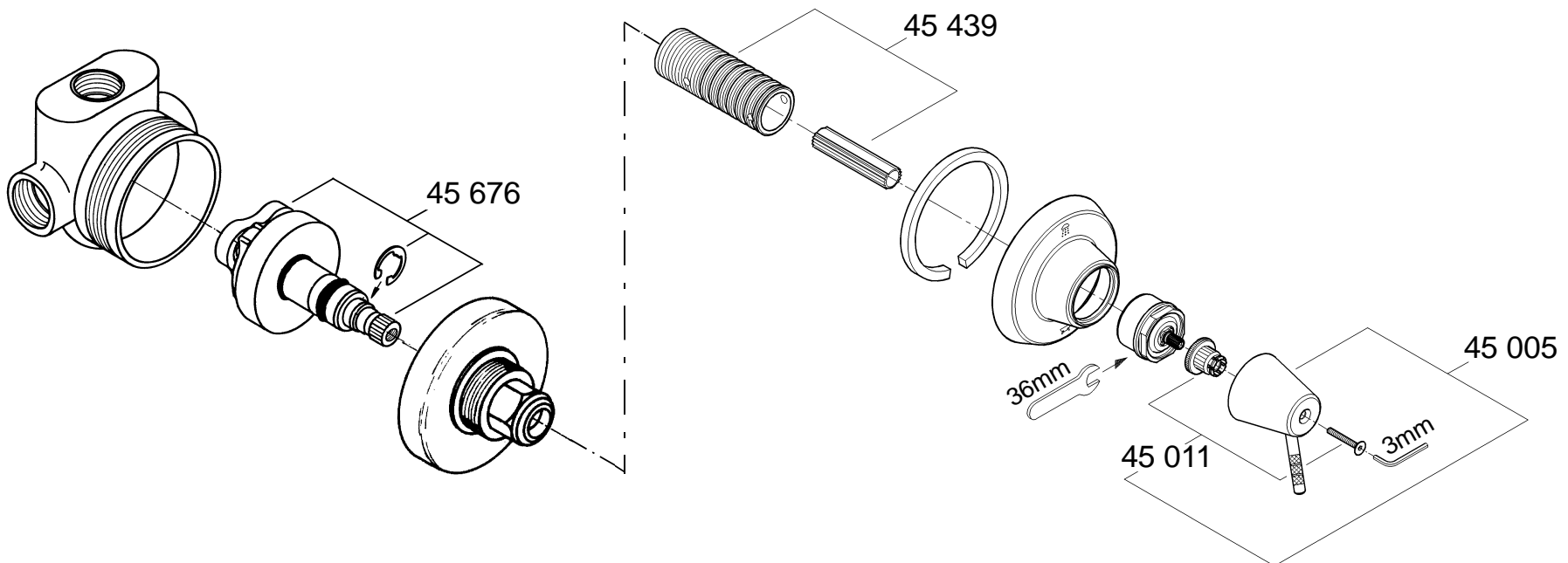
29 706 / 29 712

19 217



29 707

19 211



29 708 / 29 714

19 212

