

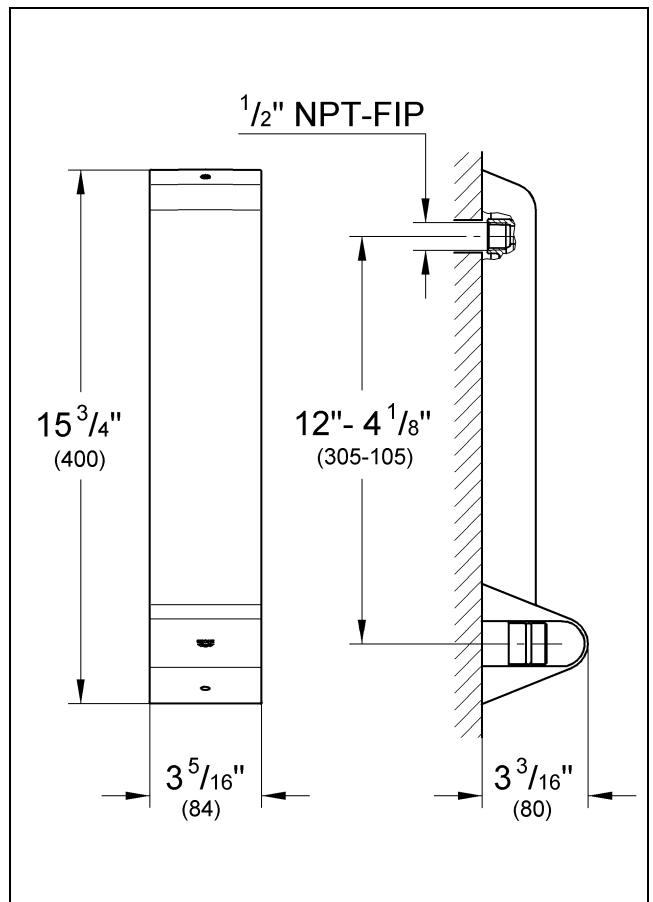


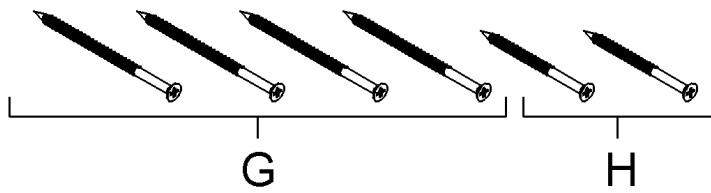
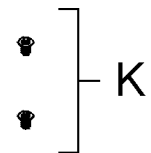
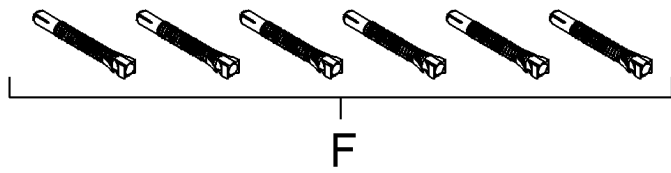
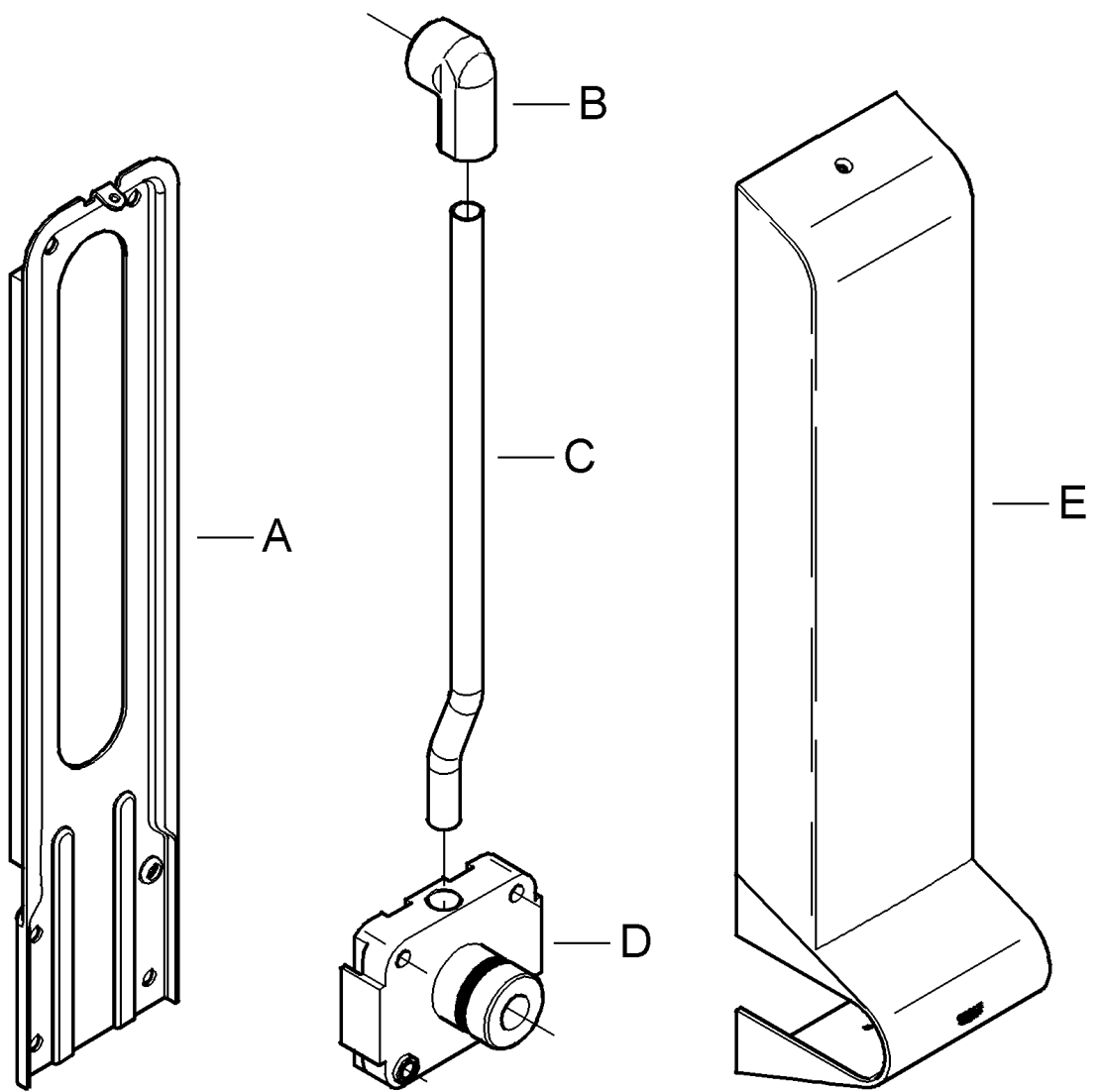
WATER TECHNOLOGY

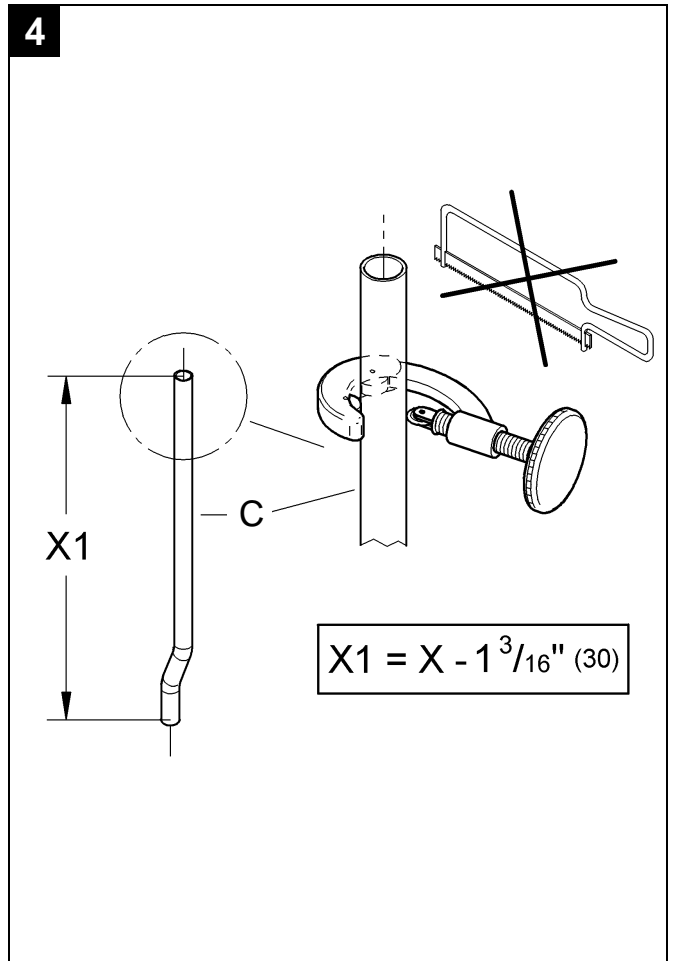
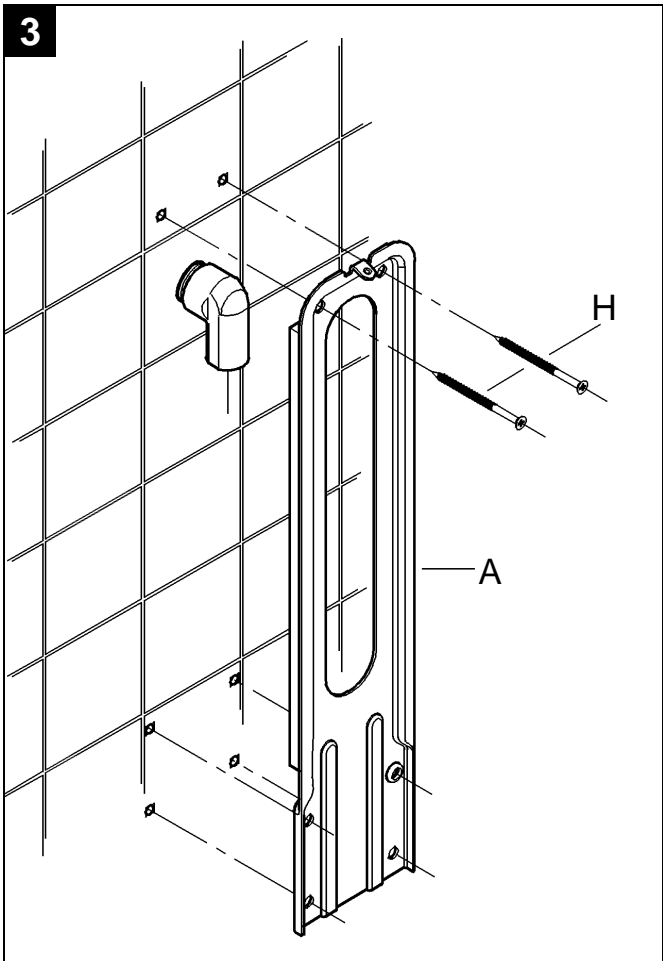
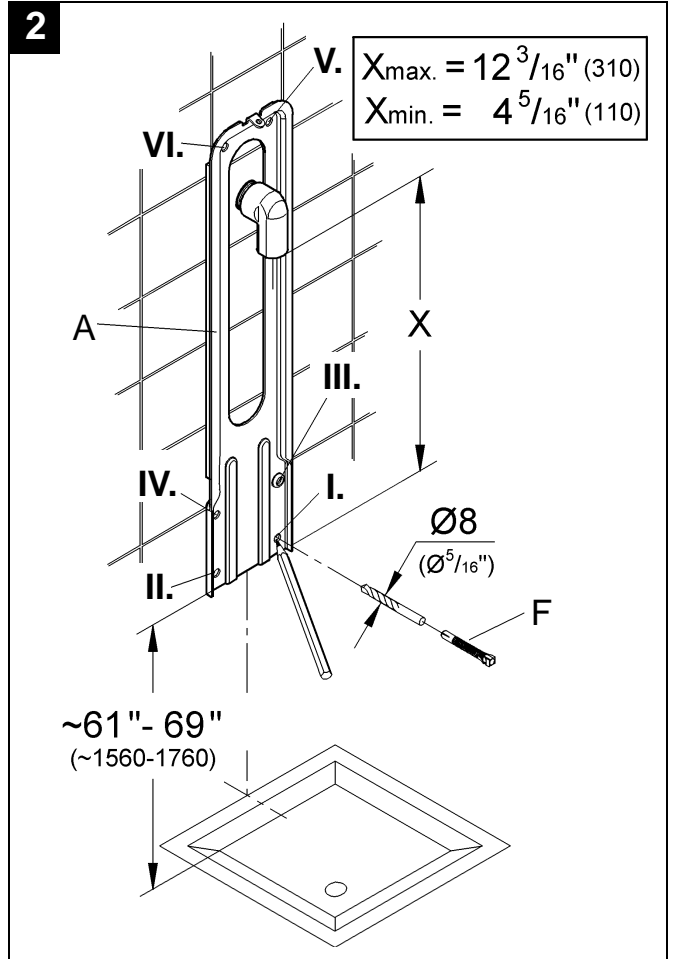
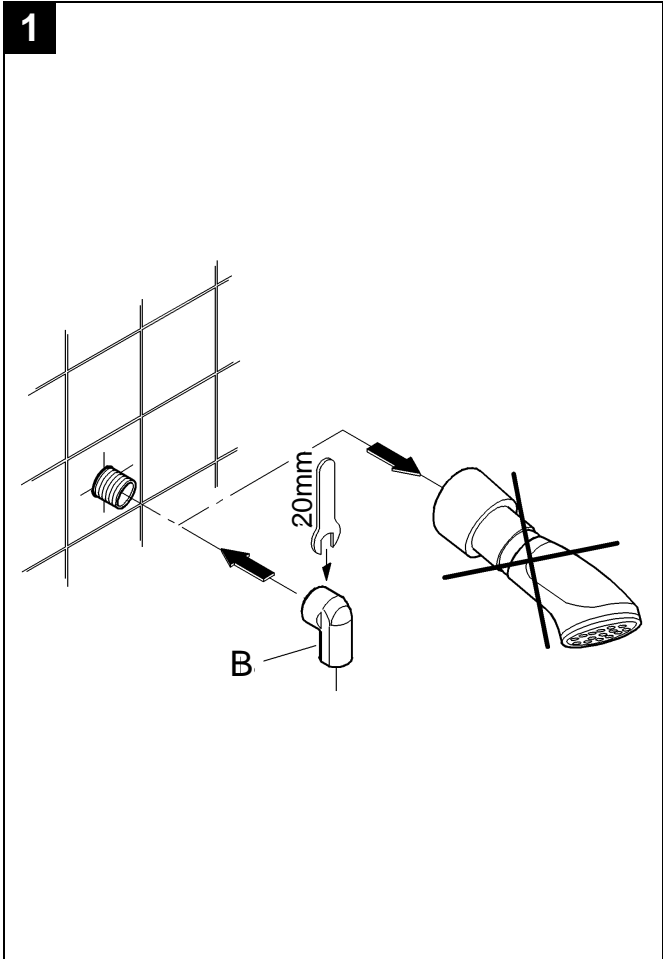
# Freehander

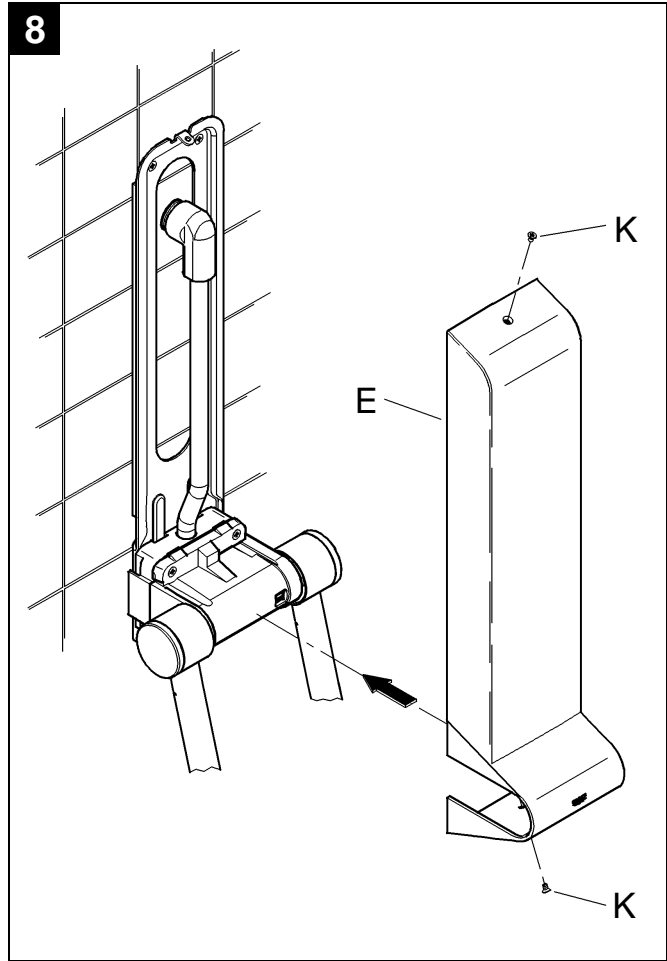
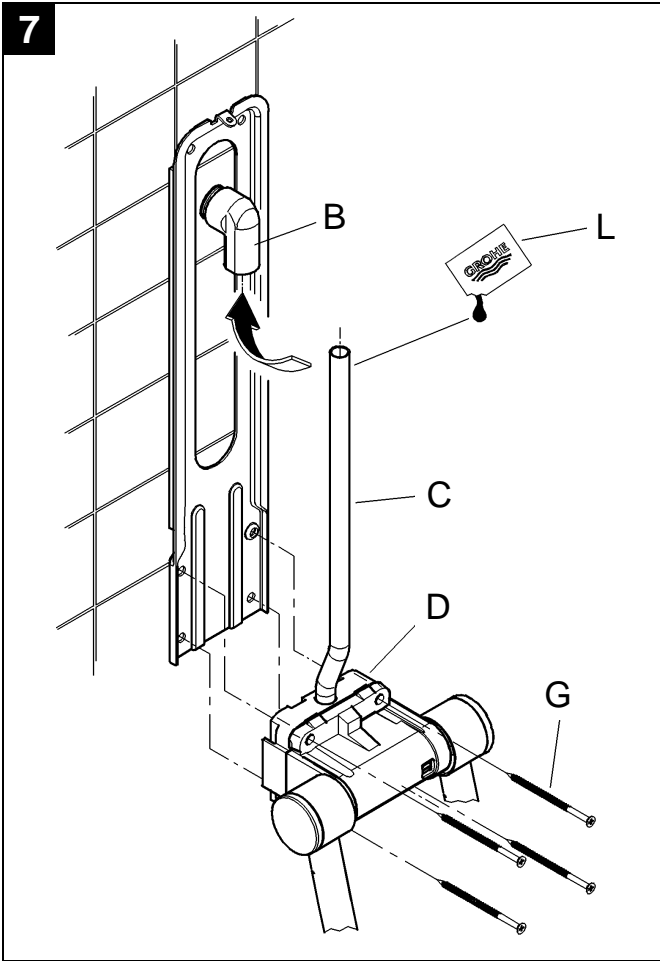
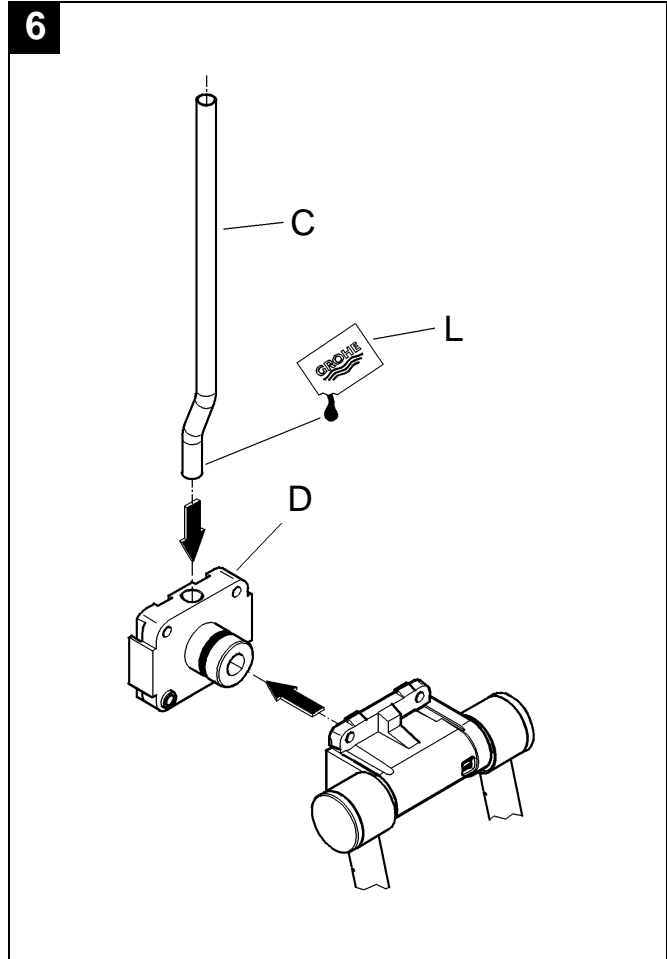
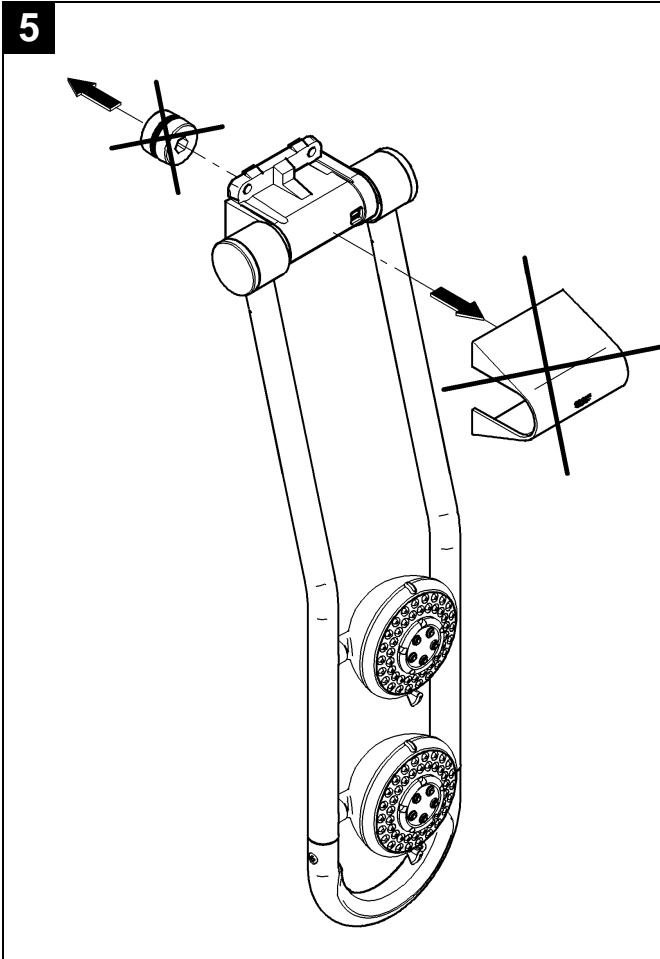


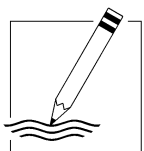
27 009











A series of 20 horizontal lines spanning the width of the page, providing a template for handwriting practice.

