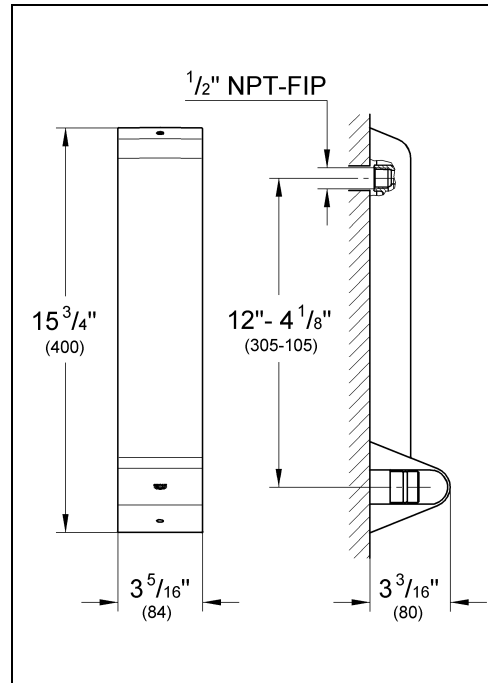




WATER TECHNOLOGY

Freehander



27 009

