



EVERPURE® HELIA® FAUCETS

HELIA FAUCETS FOR THE HOME

Pentair® Everpure® Helia® Drinking Water Faucets deliver instant chilled and instant hot water at the tap. The perfect complement to an Everpure commercial grade water filtration system, these faucets are exclusively designed to be used with the Everpure Helia Combination Instant Hot/Chilled Water Appliance and are equipped with a built-in safety feature to prevent accidents. Constructed of solid stainless steel and available in two beautiful finishes, these faucets provide lasting durability for your family's water needs.

Everpure Helia Drinking Water Faucets are engineered to be used with:

- Everpure drinking water filtration or RO system
- Everpure Helia Combination Water appliance

FEATURES/BENEFITS

- Dual handle design
- Available in Polished Stainless or Brushed Stainless finishes
- Spring-loaded "hot" shut off valve safety feature
- Insulated heat-resistant spout
- Lead-free
- Aerator tip provides even, clear stream of filtered water
- Compatible with Everpure reverse osmosis systems with a separate air gap

SPECIFICATIONS

- **Flow Rate**
0.5 gal/min (1.9 L/min)
- **Operating Pressure**
20-90 psi (1.38-6.21 bar)
- **Temperature Range**
50-212°F (10-100°C)
- **Installation**
1" or standard sink hole installation



Victorian Series

EV9006-20
Polished Stainless
Steel Finish



EV9006-21
Brushed Stainless
Steel Finish



Classic Series

EV9007-20
Polished Stainless
Steel Finish

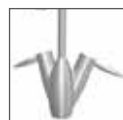


EV9007-21
Brushed Stainless
Steel Finish



Contemporary Series

EV9008-20
Polished Stainless
Steel Finish



EV9008-21
Brushed Stainless
Steel Finish



Designer Series

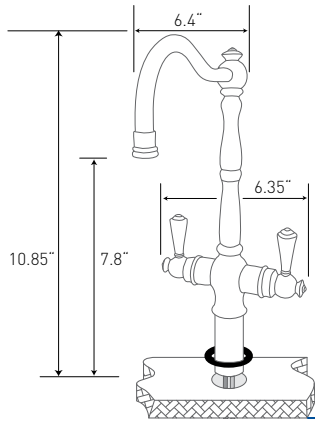
EV9000-83
Polished Stainless
Steel Finish



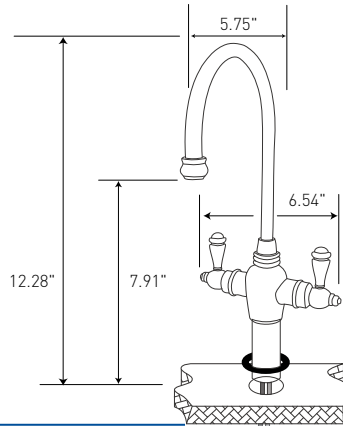
EV9000-87
Brushed Stainless
Steel Finish

INSTALLATION

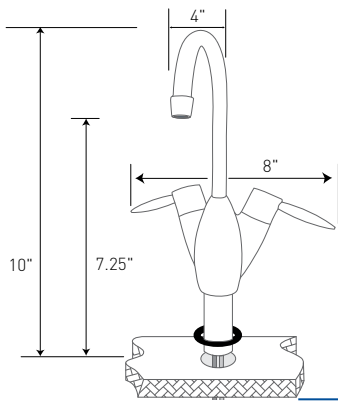
Victorian Series



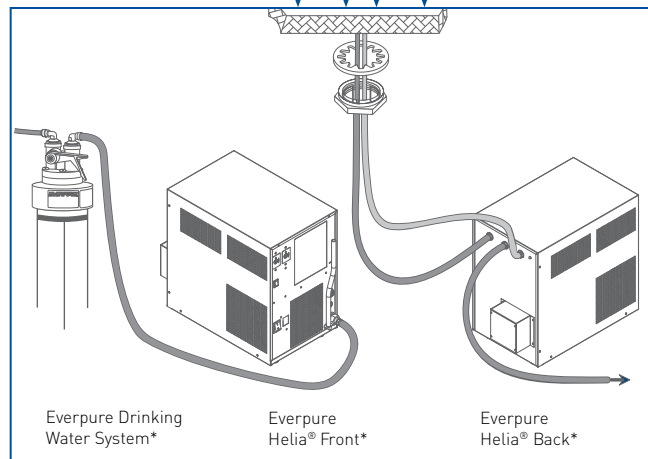
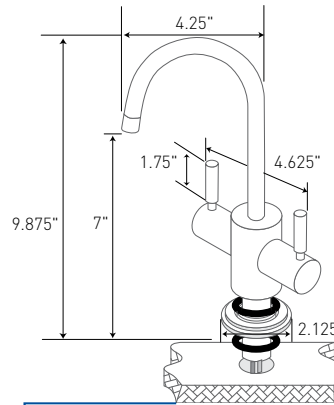
Classic Series



Contemporary Series



Designer Series



*All products sold separately.



FILTRATION & PROCESS

5730 NORTH GLEN PARK ROAD, MILWAUKEE, WI 53209

P: 262.238.4400 | F: 262.238.4404 | WWW.PENTAIRAQUA.COM | WWW.RESIDENTIAL.EVERPURE.COM | CUSTOMER CARE: 800.279.9404

All Pentair trademarks and logos are owned by Pentair, Inc. or its affiliates. All other registered and unregistered trademarks and logos are the property of their respective owners. Because we are continuously improving our products and services, Pentair reserves the right to change specifications without prior notice. Pentair is an equal opportunity employer.

EV314067 REV C JL14 © 2014 Pentair Residential Filtration, LLC. All Rights Reserved.